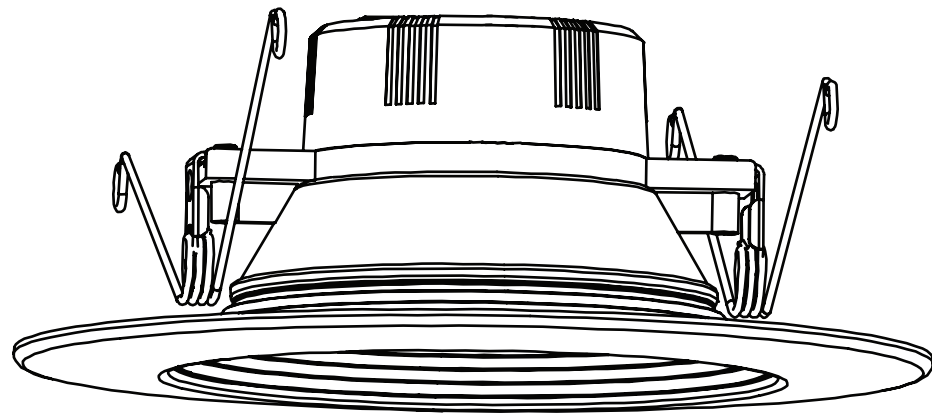




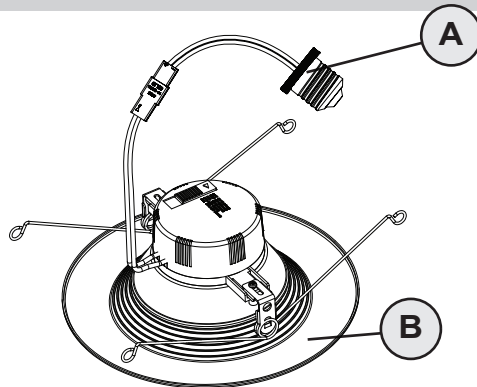
Questions, problems, missing parts? Before returning to your retailer, call our customer service department at 1-866-492-6566.

www.energeticlighting.com

Model # **E3DL6B** series
6 inch CCT Selectable
Recessed Downlight



PACKAGE CONTENTS



Part	Item Name	Qty.
A	Adapter	1
B	Lamp	1

DIMMER COMPATIBILITY

This downlight can be used with most dimmers to create your desired ambience with smooth dimming to 10% of full light levels.

Visit www.energeticlighting.com for an updated dimmer compatibility list.

INSTALLATION INSTRUCTION

SAFETY INFORMATION

Please read and understand this entire manual before attempting to assemble, operate or install the product. Failure to do so could lead to electric shock, fire or other injuries that could be hazardous or even fatal.

- Be sure the electricity to the wires you are working on is shut off. Either remove the fuse or turn off the circuit breaker.
- Changes or modifications not expressly approved by the party responsible for compliance could void the user's authority to operate the equipment.

NOTICE

- This device complies with Part 15 of the FCC Rules. Operation is subject to the following two conditions: (1) This device may not cause harmful interference, and (2) this device must accept any interference received, including interference that may cause undesired operation. This equipment has been tested and found to comply with the limits for a Class B digital device, pursuant to part 15 of the FCC Rules. These limits are designed to provide reasonable protection against harmful interference in a residential installation. This equipment generates, uses and can radiate radio frequency energy and, if not installed and used in accordance with the instructions, may cause harmful interference to radio or television reception, which can be determined by turning the equipment off and on. The user is encouraged to try to correct the interference by one or more of the following measures:
 - Reorient or relocate the receiving antenna.
 - Increase the separation between the equipment and the receiver.
 - Connect the equipment into an outlet on a circuit different from that to which the receiver is connected.
 - Consult the dealer or an experienced radio/TV technician for help.

WARNING

Minimum Lamp Compartment Dimensions 5.51-in. (Diam) x 7.4-in. (H)

Risk of fire or electric shock. LED Retrofit Kit installation requires knowledge of luminaires electrical systems. If not qualified, do not attempt installation. Contact a qualified electrician.

Disconnect power at fuse or circuit breaker before installing or servicing.

No user serviceable parts inside. To avoid electrical shock, do not disassemble product.

This product is not intended for use in emergency light fixtures or exit signs. Not for use where exposed directly to the weather or water.

This product contains a chemical known to the state of California to cause cancer, birth defects or other reproductive harm.

Risk of fire or electric shock. Install this kit only in luminaires that have the construction features and dimensions shown in the photographs and/or drawings.

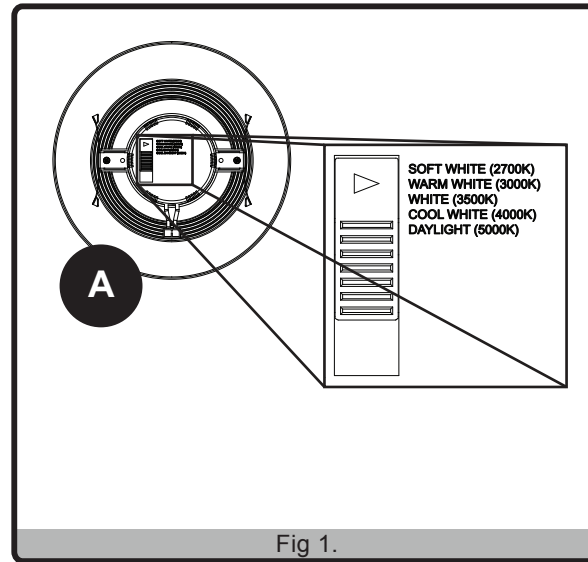
To prevent wiring damage or abrasion, do not expose wiring to edges of sheet metal or other sharp objects.

Do not make or alter any open holes in an enclosure of wiring or electrical components during kit installation.

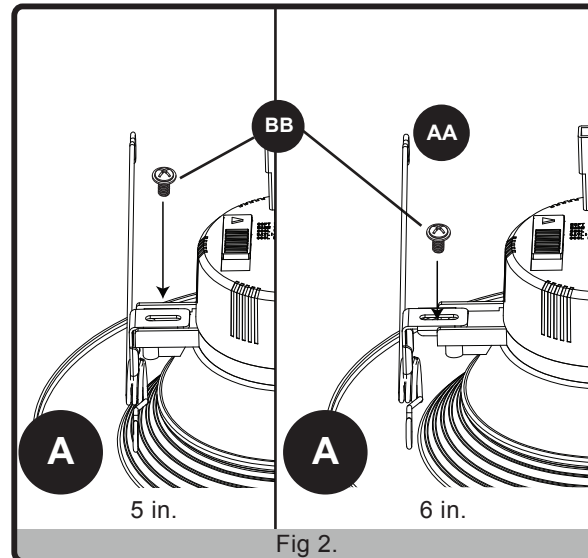
Installers should not disconnect existing wires from lampholder terminals to make new connections at lampholder terminals. Instead installers should cut existing lampholder leads away from the lampholder and make new electrical connections to lampholder leads wire by employing applicable connectors.

INSTALLATION INSTRUCTIONS

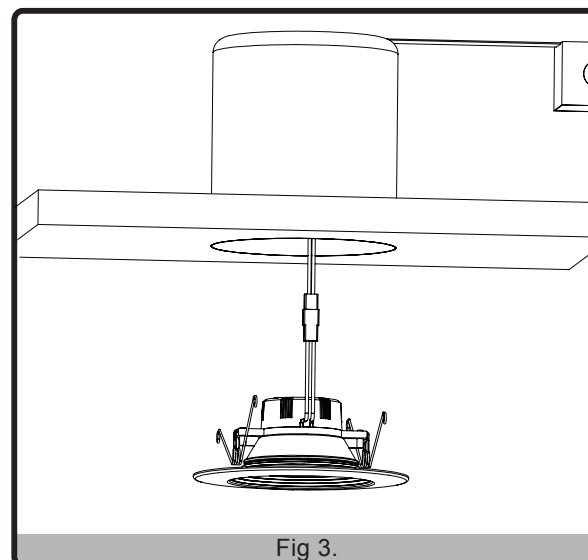
1. Before proceeding to the next step, set the desired color temperature (CCT), using the slide switch on the back of the housing. CCT can be changed from 2700K, 3000K, 3500K, 4000K, or 5000K.



2. Adjust Spring clip arms (AA) to fit either 5" or 6" inch by screwing in screws (BB) at the demonstrated location on Fig.2. for desired can size.

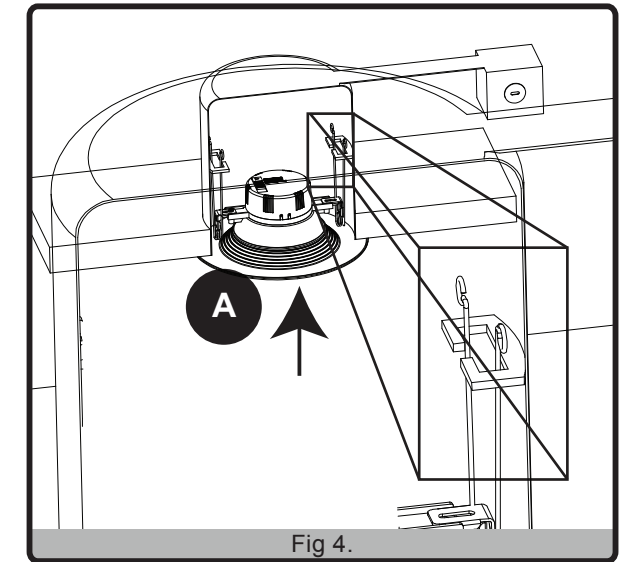


3. Squeeze the two sets of spring clip arms up towards each other and proceed to the next step to install the downlight into the can.



INSTALLATION INSTRUCTIONS

4. Carefully route wires into can fixture and hook both sets of spring clip arms into the arm hooks on the inside walls of the can, once secured inside the hooks, release spring clip arms and gently push the downlight (B) up into the can until flush against the ceiling surface.



CARE AND MAINTENANCE

Clean with a mild, non-abrasive glass cleaner and soft cloth. Do NOT use solvents or clean-ers containing abrasive agents. When cleaning the fixture, make sure the power is turned off, and any liquid spray should be applied to the cleaning cloth and not sprayed directly onto the fixture itself.

TROUBLESHOOTING

Problem	Possible Solution	Corrective Action
Fixture does not light.	<ol style="list-style-type: none"> 1. Power is off. 2. Incorrect wire connection 3. Defective wall switch 	<ol style="list-style-type: none"> 1. Check circuit break or wall switch. 2. Check wire splice 3. Replace switch
Circuit breaker trips when light is turned on.	Crossed wires or power wire is grounded out.	Verify wires are correctly connected.