

LED AREA LIGHT

Model No. EALH-300W1033cws

LED **EALH-300W1033cws** is LED Area Light featuring Lumileds 2835 LED chips with high efficiency (150-170 lumens per watt). It offers 3 color temperatures (3000K, 4000K, 5000K) and 3 wattage selections (300W, 240W, 200W). With an IP65 rating for outdoor use and over 110-degree light distribution angle, it provides bright, clear illumination. This light is UL/cUL and DLC 5.1 Premium certified, ensuring safety and eligibility for utility rebates, making it ideal for various outdoor lighting applications.



±1000W
REPLACEMENT



3 Wattage Selectable



3CCT Selectable



IP65 Protection



Energy Efficient



0-10V Dimmable



Wet Rated

Electrical Specifications

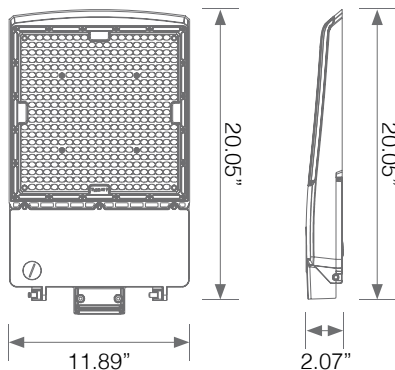
Input Power	Equivalency	Lumen Output(3000K)	Lumen Output(4000K)	Lumen Output(5000K)	CCT	Estimated Yearly Cost
200 W	750W	30000LM	32600LM	32000LM	3000/4000/5000K	\$24.09
240 W	750W	36000LM	39120LM	38400LM	3000/4000/5000K	\$28.90
300 W	1000W	45000LM	49000LM	48000LM	3000/4000/5000K	\$36.13

Input Voltage	Luminous Efficacy	Beam Angle	CRI	Input Current	Power Factor	Lamp Lifespan
277-480 V	150-170 lm/W	Type III	70	1.1 A	0.9	50,000 Hrs.

Mechanical Specifications

Rating	Operational Temperature	Inner Box QTY.	Master Box QTY.	Dimensions(in.)	UPC Code
Wet Rated	-40°F - 113°F	N/A	1 qty.	11.89"(W) x 2.07"(D) x 20.05"(H)	811174037958

Product Dimensions



Product Photometric Data

