

LED AREA LIGHT

SL4

Note yNot all of the products indicated in this specification are DLC premium listed, please refer to <https://www.designlights.org/> searcher for more details

LED area light is a device which are consist of aluminum alloy frame, LED light source model and driver. It can be a replacement of HID and other traditional light fixture, provided with higher efficacy, a longer lifetime 50,000H at least or even more up to 100,000H and very lower breakdown opportunity, higher reliability and better cost than any light before.

The high-performance, IP65-rated luminaire delivers a minimum of 140Lm/W, providing significant energy savings while remaining durable in the field.

Application

- Outdoor roadway mainly
- large industrial area, parking field, sidewalks
- IP65,wet location
- Working temperature:-40℃ to +50℃

Optics feature

- CCT:2700-6500K
- CRI:Ra70
- Light efficacy: up to 145Lm/W
- Beam angle :Type3/Type4/Type5

Electronic data

- Input voltage:100-277Vac, 277-480Vac
- 6KV surge protection
- PF>90% and THD<10% (full loading)
- Free of flickering

Others

- Pole and wall mounting
- Finishing: Brown/White/Black/Customization
- 5 years warranty

Smart function

- Dimming function with 3 in1(continual dimming)
- Optional for motion sensor and photocell controller

Technical Parameters

Typical Power (W)	Input voltage (V)	Luminous (Lumen)	Efficacy (LM/W)	Typical CCT (K)	Ra	Beam Angle	LED Chip	PF	IP	Dimension (L*W*H)
60W	AC100-277V AC277-480V	8700	145	3000/4000/5000/5700/6500	70	TYPE3/TYPE4/TYPE5	3030	> 0.95	IP65	435*277*75mm 17.1*10.9*3.0"
80W	AC100-277V AC277-480V	11600	145	3000/4000/5000/5700/6500	70	TYPE3/TYPE4/TYPE5	3030	> 0.95	IP65	
100W	AC100-277V AC277-480V	14500	145	3000/4000/5000/5700/6500	70	TYPE3/TYPE4/TYPE5	3030	> 0.95	IP65	
120W	AC100-277V AC277-480V	17400	145	3000/4000/5000/5700/6500	70	TYPE3/TYPE4/TYPE5	3030	> 0.95	IP65	
150W (Small)	AC100-277V AC277-480V	21750	145	3000/4000/5000/5700/6500	70	TYPE3/TYPE4/TYPE5	3030	> 0.95	IP65	
150W (Medium)	AC100-277V AC277-480V	21750	145	3000/4000/5000/5700/6500	70	TYPE3/TYPE4/TYPE5	3030	> 0.95	IP65	520*277*75mm 20.5*10.9*3.0"
200W	AC100-277V AC277-480V	29000	145	3000/4000/5000/5700/6500	70	TYPE3/TYPE4/TYPE5	3030	> 0.95	IP65	
240W	AC100-277V AC277-480V	34800	145	3000/4000/5000/5700/6500	70	TYPE3/TYPE4/TYPE5	3030	> 0.95	IP65	600*322*75mm 23.6*12.7*3.0"
300W	AC100-277V AC277-480V	43500	145	3000/4000/5000/5700/6500	70	TYPE3/TYPE4/TYPE5	3030	> 0.95	IP65	

Ordering Information

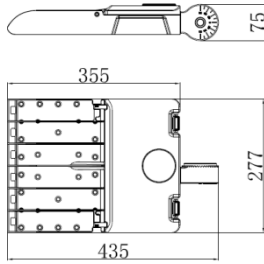
A	B	C	D	E	F	G	H	I	J	K	L	M	N
Rated power	Input voltage	Driver brand	Dimming	CCT	CRI	LED CHIP	Beam Angle	Dimension	Color	Installation	Lens	Surge Protector	Sensor
60W 80W 100W 120W 150W 200W 240W 300W	L-100~277V H-277~480V	1-SOSEN 2-MEANWELL 5-FAHOLD	Blank-No dimmable D-Dimmable	27K-2700K 30K-3000K 40K-4000K 50K-5000K 57K-5700K 60K-6000K 65K-6500K	70-Ra70 80-Ra80	1-Seoul3030 2 Tongyifang3 030 3 Osram3030	T1-TYPE 1 T2-TYPE 2 T3-TYPE 3 T4-TYPE 4 T5-TYPE 5	S3/S4 M3/M4 L3/L4	BK-Black BR-Brown WH-White	Blank-Non- bracket A-Bracket A C-Bracket C D-Bracket D E-Bracket E F-Bracket F	Blank-PC G-Glass	Blank-No surge protector SP-Surge protector	Blank-Sensorless L-Photocell M-Motion sensor S-Photocell+motion sensor

Model:HG-SL-ABCD-EFGH-IJKL-MN,For example: HG-SL-150WL1D-40K703T3-M3BK

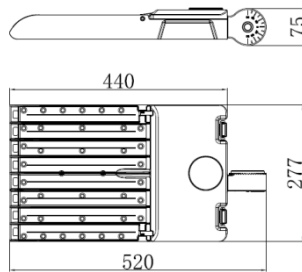
Dimension

SL series Area for light provide 3 basic dimension. The small size for max 150W, the medium size for max 200W, the large size for max 300W.

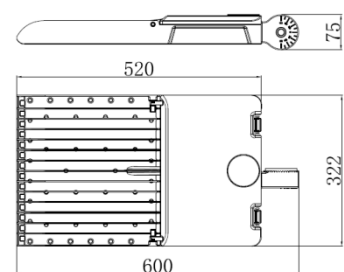
There are 5 installation brackets for different application, such as round/square pole, wall mounting, and can adjust the beam angle accordingly.



60W-150W(Small)



150W(Medium) -200W

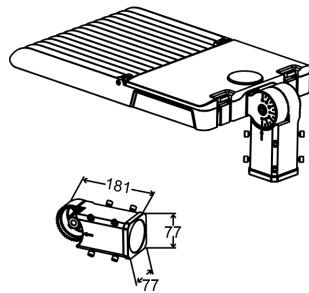


240W-300W

Installation diagram

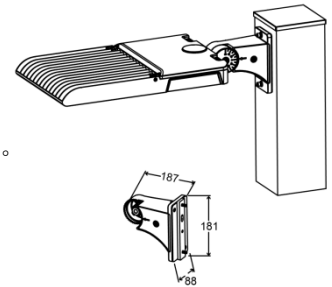
Bracket A

Slip Fitter
Application: Round Pole
Adjustable range:-90~+90 °
Division:8 °



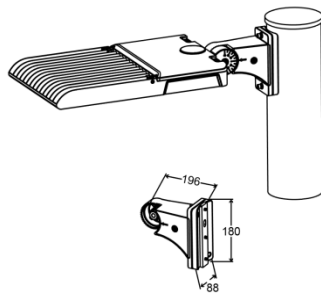
Bracket C

Adjustable Square bracket
Application: Square Pole
Adjustable range:-90~+90 °
Division:8 °



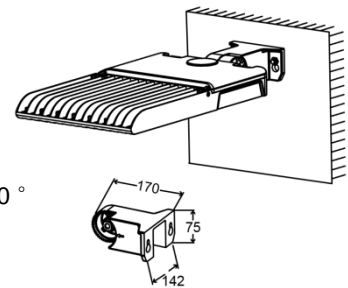
Bracket D

Adjustable Pole bracket
Application: Round Pole
Adjustable range:-90~+90 °
Division:8 °



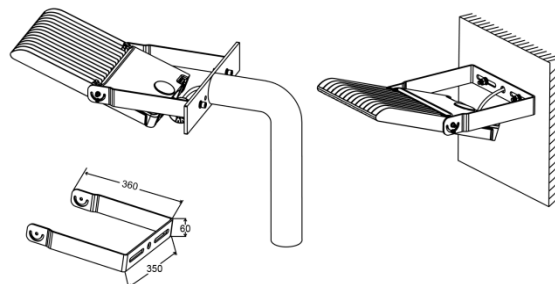
Bracket E

YOKE bracket
Application: Wall mount
Adjustable range:-90~+90 °
Division:8 °

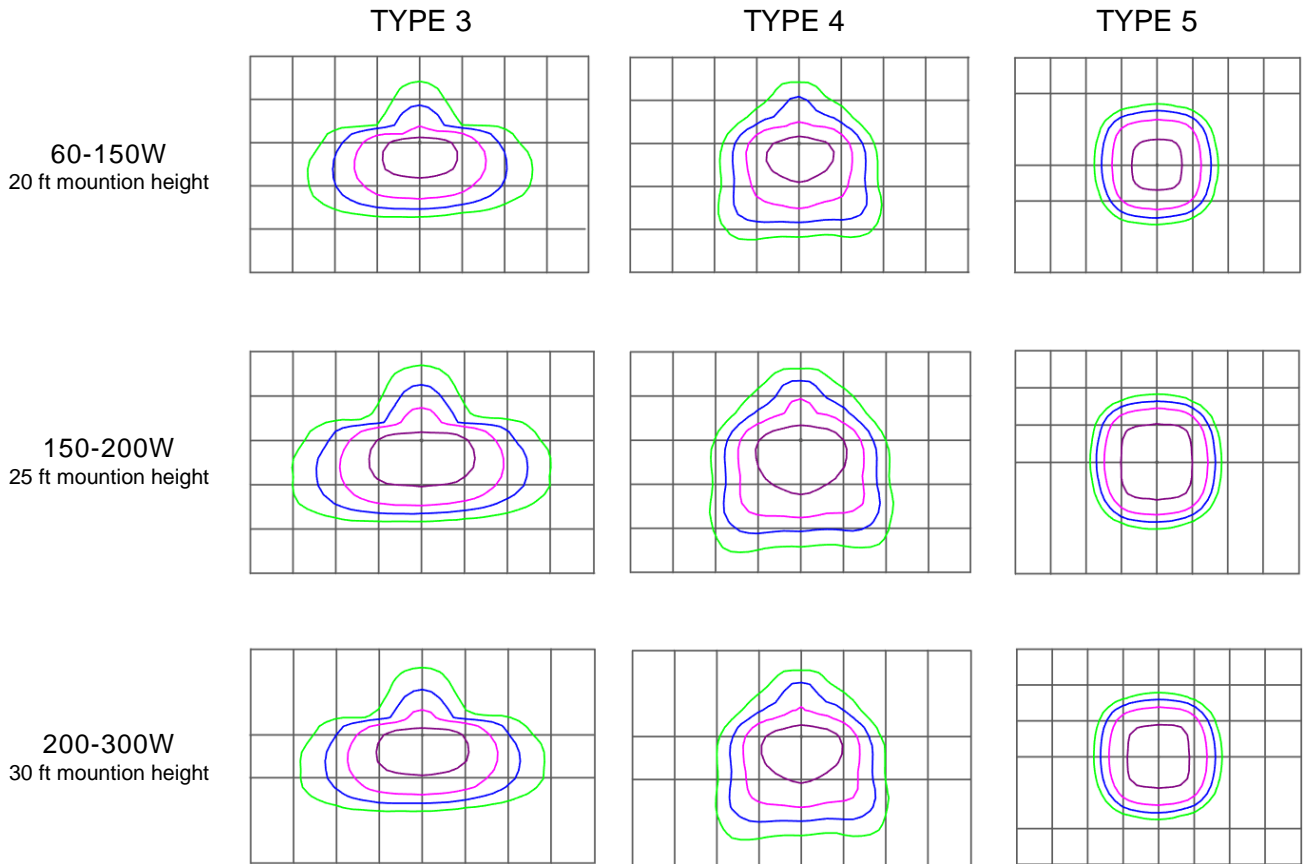


Bracket F

U- bracket
Application: Wall/Pole
Adjustable range: :-90~+90 °
Division: Continuous



Photometry

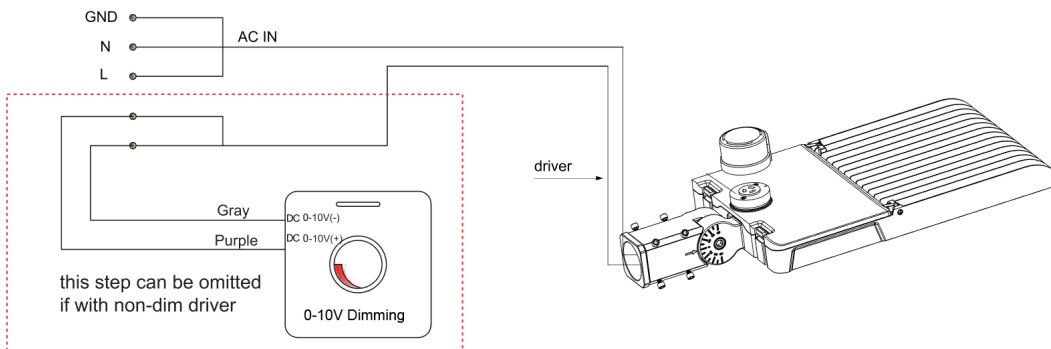


Wiring Connection

Turn off the power, connect AC wire.

Dimmer connection (With dimmable driver.)

1. Compatible with 0-10v dimming.
2. Connect wires as below, purles wire is D+, gray wire is D-

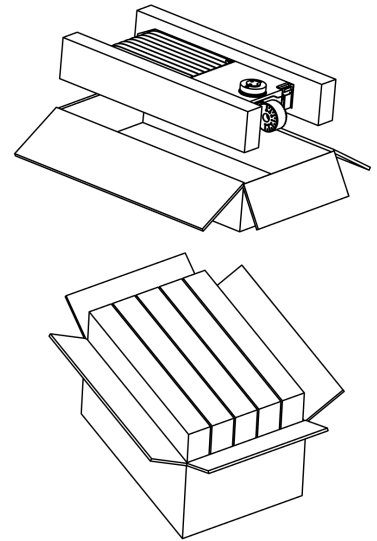


3. Hang up the light.

*Installation Note- In non-dimming application, cap purple and gray wires individually.

Package

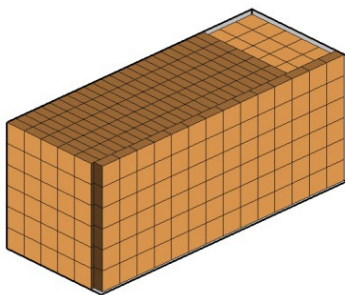
Power	NW(kg)	G.W(kg)	QTY/Carton	Outer carton dimension
60W	22.6	23.93	5	710x480x322mm 27.9x18.9x12.7"
80W	22.6	23.93	5	710x480x322mm 27.9x18.9x12.7"
100W	22.6	23.93	5	710x480x322mm 27.9x18.9x12.7"
150W (Small)	22.6	23.93	5	710x480x322mm 27.9x18.9x12.7"
150W (Medium)	27.55	29.09	5	710x565x322mm 27.9x22.2x12.7"
200W	27.55	29.09	5	710x565x322mm 27.9x22.2x12.7"
240W	7.15	8.01	1	630x352x127mm 24.8x9.9x5"
300W	7.15	8.01	1	630x352x127mm 24.8x9.9x5"



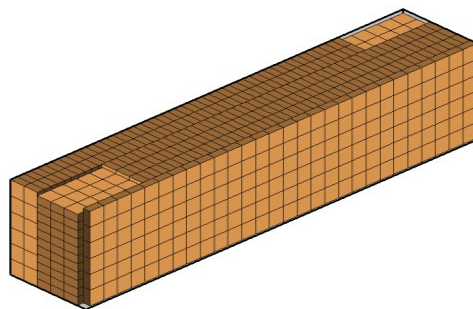
QTY	20GP	40GP	40HC
60-150W(Small)	1385	2805	3170
150(Medium)-200W	1200	2415	2655
240-300W	915	2154	2359

Unit: pcs(bulk)

20GP
6000*2342*2388 mm



40GP
12017*2342*2388 mm



40HC
12017*2342*2693 mm

