

LED FLOOD LIGHT

LEDFLOD1000051335 - LG-MFL-15-3CCT-BZ-K
LEDFLOD1000051336 - LG-MFL-40/50/60-3CCT-BZ-K
LEDFLOD1000051337 - LG-FL-150/120/90-3CCT-BZ

LUMEGEN®



Project:	
Type:	
Catalog #:	



WATTAGE ADJUSTABLE



COLOR TUNABLE

The LumeGen LED Flood Light is designed for illuminating and highlighting outdoor elements such as signage, facades, landscape elements, or billboards. Flood lights are great for providing a sense of security for building exteriors by illuminating the outdoor spaces or elements. These flood lights are also great for illuminating flag poles throughout the night. The color adjustable feature on these allow you to select between three popular color temperatures.

Product Features

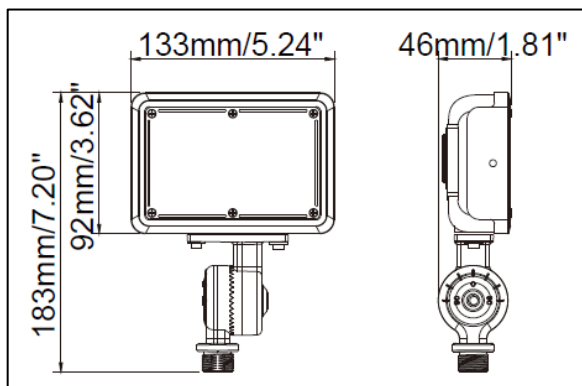
- **Color Temperature:** 3000K, 4000K, 5000K Selectable
- **Power Use:** 15W | Adjustable Wattage 40W/50W/60W | Adjustable Wattage 90W/120W/150W
- **Housing Construction:** Die-Cast Aluminum Housing, dark brown powder coated finish.
- **Optical Lens:** PC Lens
- **LEDs:** LUMILEDS 2835 LED Chips
- **LED Life Hours:** Rated to last 50,000 hours
- **Beam Angle:** 7H6V (150° x 120°)
- **Driver:** AC120-277V, 50/60Hz, 0-10V Dimming
- **Power Factor (PF):** > 0.9
- **Total Harmonic Distortion (THD):** <20%
- **Color Rendering Index (CRI):** >70
- **Operating Temperature:** -40°F ~ 113°F (-40°C ~ 45°C)
- **Sensor:** DC Photocell preinstalled
- **Warranty:** 5 year warranty of all electronics and housing.

Safety & Performance Listings

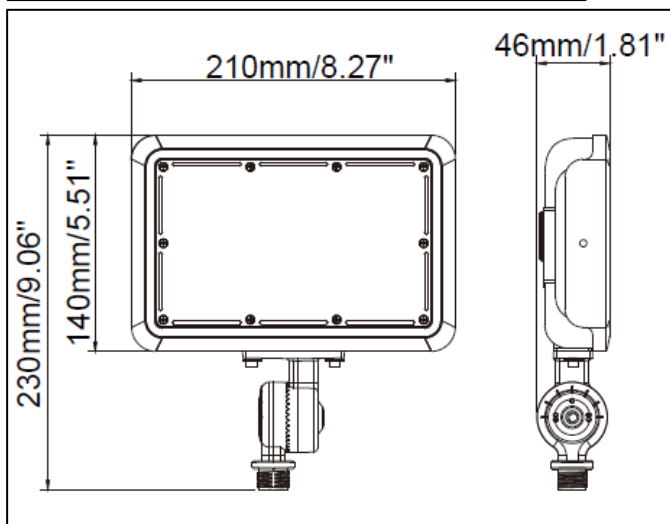
- UL Certified
- DLC Premium Listed V5.1
- IP65 rated.
- Complies with FCC Part 15, class B.

LEDFLOD1000051335 - LG-MFL-15-3CCT-BZ-K
 LEDFLOD1000051336 - LG-MFL-40/50/60-3CCT-BZ-K
 LEDFLOD1000051337 - LG-FL-150/120/90-3CCT-BZ

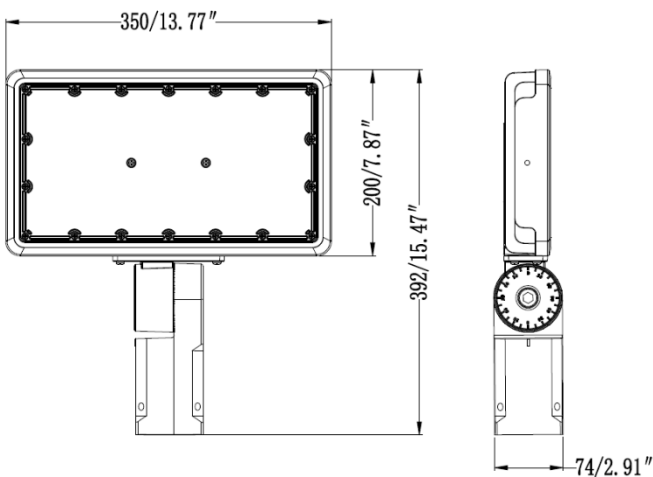
Dimensions



LG-MFL-15-3CCT-BZ-K



LG-MFL-40/50/60-3CCT-BZ-K



LG-FL-150/120/90-3CCT-BZ

LEDFLOD1000051335 - LG-MFL-15-3CCT-BZ-K
 LEDFLOD1000051336 - LG-MFL-40/50/60-3CCT-BZ-K
 LEDFLOD1000051337 - LG-FL-150/120/90-3CCT-BZ

Electrical Specifications

Model	Watts	Lumens	LPW	CCT	CRI	Voltage	Beam Angle
LG-MFL-15-3CCT-BZ-K	15	1950	130	3000K/4000K/5000K Selectable	>70	120-277	7H6V (150° x 120°)
LG-MFL-40/50/60-3CCT-BZ-K	40	5200					
	50	6500					
LG-FL-150/120/90-3CCT-BZ	60	7800					
	90	13,000					
	120	15,600					
	150	19,500					

*Dimmable with 0-10V Dimmer (0-10V dimmer sold separately)

DLC Premium Listed | Brand: LumeGen

Model #	DLC QPL CODE
LG-MFL-15-3CCT-BZ-K	S-VBQN42
LG-MFL-40/50/60-3CCT-BZ-K	S-FC2L4T
LG-FL-150/120/90-3CCT-BZ	S-XH1XOK

Wattage & Color Tunable Instructions

These LED Flood Lights are equipped with CCT and photocell function switches which can change the color temperature between 3 settings and activate/deactivate the automatic photosensor function.

The switch for the CCT and photocell option are located by unscrewing a water-tight cap on the back of the fixture housing.

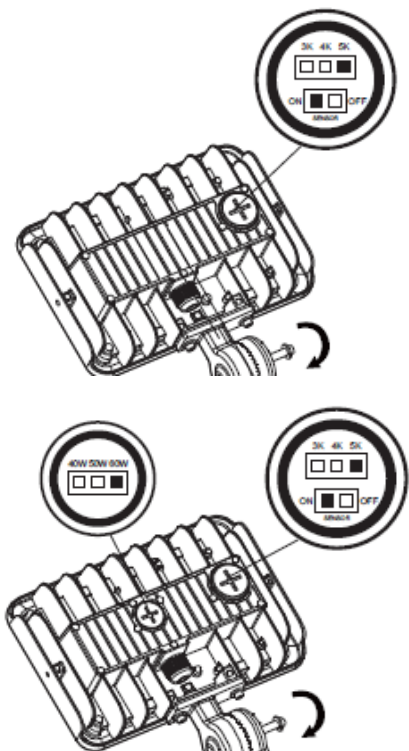
LG-MFL-15-3CCT-BZ-K

Model LG-MFL-40/50/60-3CCT-BZ-K and LG-FL-150/120/90-3CCT-BZ is also equipped with a wattage adjustable switch which allows the selection of 3 different wattages which affect the brightness.

The switch for the CCT and photocell option are located by unscrewing a water-tight cap on the back of the fixture housing. The switch for the wattage adjustable is under a separate cover located on the back of the fixture.

LG-MFL-40/50/60-3CCT-BZ-K

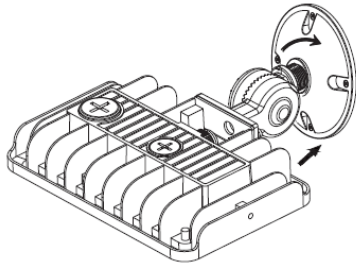
LG-FL-150/120/90-3CCT-BZ



LEDFLOD1000051335 - LG-MFL-15-3CCT-BZ-K
LEDFLOD1000051336 - LG-MFL-40/50/60-3CCT-BZ-K
LEDFLOD1000051337 - LG-FL-150/120/90-3CCT-BZ

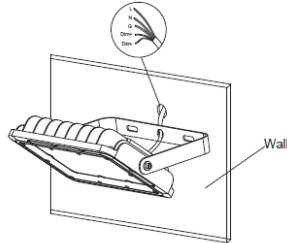
Mounting Brackets

The LED flood lights come standard with a rotatable 1/2" knuckle bracket that can be installed onto an outdoor cover plate (sold separately). An option U-bracket Yoke Mount is available for purchase separately for each size which allows adjustable mounting to wall or ground.



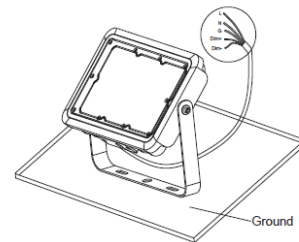
Default Knuckle Bracket with outdoor cover plate (sold separately)

LEDSPOT1000051862



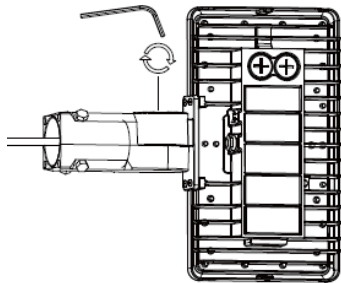
U-Bracket Yoke Mount for wall or ground installation.

LEDMKAL1000051335 for 15W



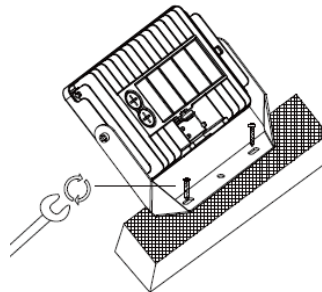
LEDFLOD1000051336 for 40W/50W/60W

The larger 100W/120W/150W Flood Light uses a slipfitter mount or u-bracket yoke mount. Both mounting options are sold separately per below:



Adjustable Slip-Fitter bracket will fit on 2.4" D poles. Slip-Fitter sold separately

LEDMKAL1000051334

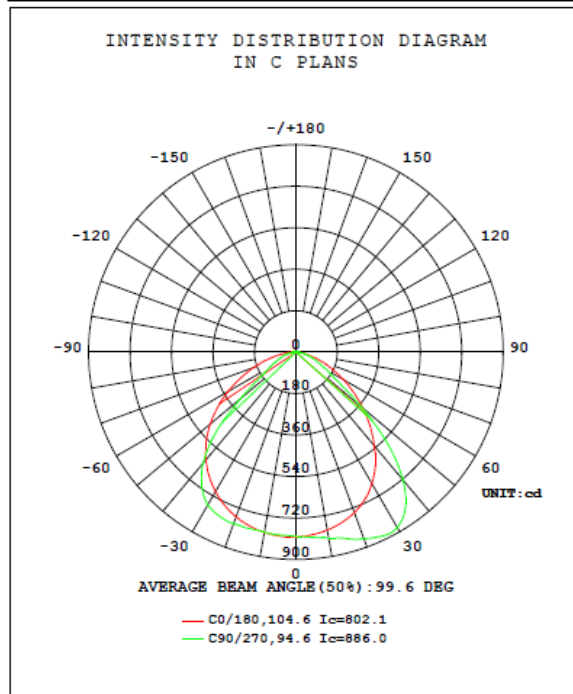


U-Bracket Yoke Mount for wall or ground installation.

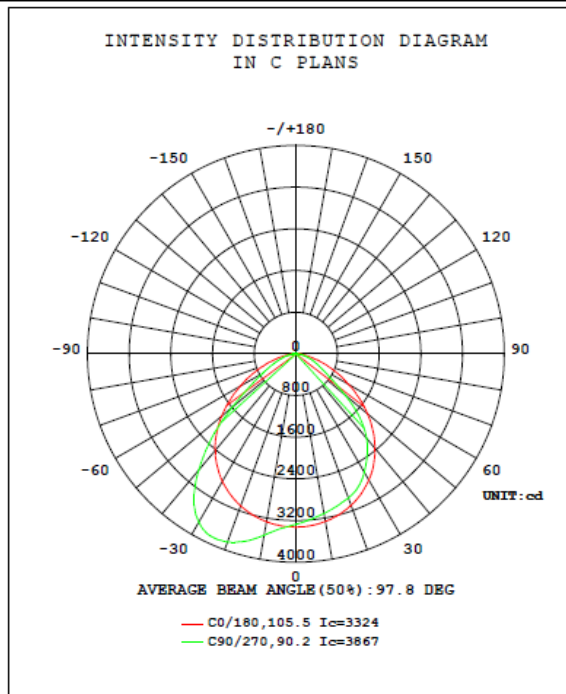
LEDMKAL1000051337

LEDFLOD1000051335 - LG-MFL-15-3CCT-BZ-K
 LEDFLOD1000051336 - LG-MFL-40/50/60-3CCT-BZ-K
 LEDFLOD1000051337 - LG-FL-150/120/90-3CCT-BZ

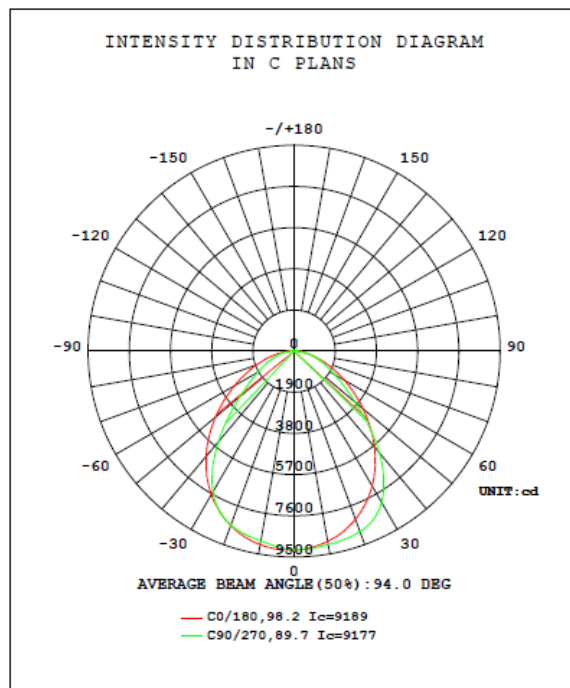
Photometrics



15W 50K



60W 50K



150W 50K