



**Questions?**


For customer service please call us at 1-310-787-1100  
Office Hours: 8:00 a.m. – 5:00 p.m. PST Monday-Friday  
[www.eurilighting.com](http://www.eurilighting.com)



PLEASE REVIEW THE INSTRUCTIONS AND WARNINGS LISTED BELOW PRIOR TO PROPER INSTALLATION

WARNINGS	PRODUCT PARTS LIST
<p><b>IMPORTANT:</b> Read all instructions in order to ensure safety and proper installation. DO NOT operate this product under any conditions other than those for which it is specified. Failure to observe these precautions can lead to electrical shock, product failure, or other problems.</p> <p><b>WARNING:</b> Turn power OFF from electrical panel before installation or maintenance.</p>	<p><b>PARTS LIST</b></p> <ul style="list-style-type: none"> <li>① Anti-UV Shades</li> <li>② LED Fixture</li> <li>③ Wire</li> <li>④ Mounting plate</li> </ul>
WARRANTY	
<p>This product is free from defects in materials and workmanship for a period of 3 years from the day of purchase. from the day of purchase. If the product has been misused, damaged by accident or in any other way of improper use, this warranty becomes void.</p>	

**BLUETOOTH**



**Controlled Via Tuya Smart APP**

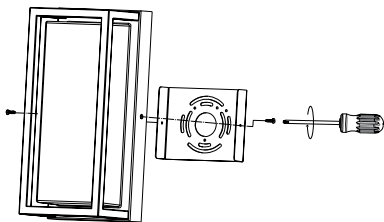
**Works With Google Assistant**

**Works With Amazon Alexa**

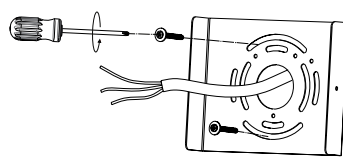
1. Download the “Tuya Smart” or” Smart Life” from Apple Store or Google Store, register an account and log in.
2. Turn on Bluetooth on your phone.
3. Open the APP to connect the light, Click” +” in the upper right corner- Lighting - Lighting Source (BLE).
4. Switch ON/Off the light for 3 times continuously. If light flashes, you can find it on APP and connect it. If failed, please try again above steps.
5. Within 30 seconds, it will be connected. Start to enjoy the scene.

**INSTALLATION GUIDE**

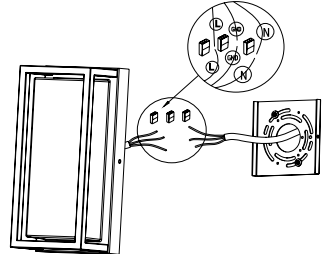
**Step 1:** Take off the mounting bracket from the light fixture.



**Step 2:** Attached the mounting bracket to the J-box/wall by 2 screws.



**Step 3:** Use push in wire connectors to connect the wires.

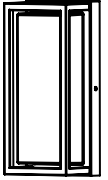




**Questions?**

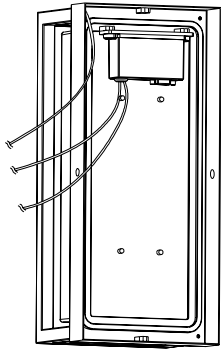
For customer service please call us at 1-310-787-1100  
Office Hours: 8:00 a.m. – 5:00 p.m. PST Monday-Friday  
[www.eurilighting.com](http://www.eurilighting.com)

**LED SMART  
OUTDOOR  
WALL LIGHT**

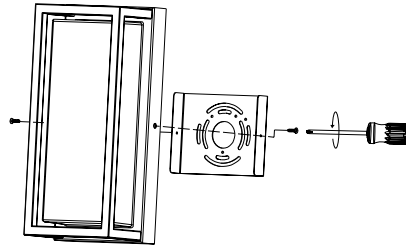


PLEASE REVIEW THE INSTRUCTIONS AND WARNINGS LISTED BELOW PRIOR TO PROPER INSTALLATION

**INSTALLATION GUIDE**



**Step 4:** Fix the light fixture to the mounting bracket by 2 screws on the side.



**Step 5:** Installation is done.

