

KT-EMRG-LED-5-500-K1

CONSTANT WATTAGE LED EMERGENCY BACK-UP



DESCRIPTION

LED Emergency Back-Up Driver Kit | 5W Output | 120-277V Input

DRIVER TYPE: Constant Wattage LED Emergency

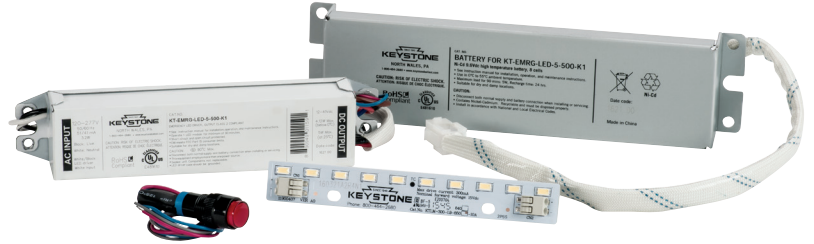
MAX. OUTPUT POWER: 5W

INPUT VOLTAGE: 120-277Vac \pm 10%

OUTPUT VOLTAGE: 12~41 Vdc

OUTPUT CURRENT: 400mA-100mA

WARRANTY: 5 Years



PRODUCT FEATURES

- Drives Dedicated LED Load (Included) at 5W for a Minimum of 90 Minutes
- Meets FCC Part 15 (Class B) Consumer Limits
- Short Circuit Overload and Open Load Protection
- Type 1 Outdoor, Suitable for Dry and Damp Locations
- Evaluated to UL 924 Standards
- Operating Temperature: 32°F/0°C to 122°F/50°C
- Input Frequency: 50/60 Hz
- Test Switch/ Charging Indicator Light
- Battery Pack with Quick Connect; NiCd
- Battery Capacity: 1200mAh

SPECIFICATIONS

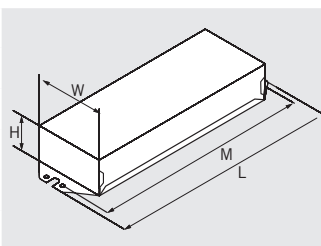
ELECTRICAL SPECIFICATIONS

| Family | INPUT CHARACTERISTICS | | | OUTPUT CHARACTERISTICS | | |
|--------|-----------------------|--------------|--------------|------------------------|----------------------|----------------|
| | Input Voltage | Power Factor | Max. Current | Max. Output Power | Rated Output Current | Output Voltage |
| 5W | 120-277Vac | \geq 0.5 | 0.03A @ 120V | 5W | 400mA-100mA | 12~41Vdc |

Emergency pack designed to deliver 5W to a constant current LED load. Approximate output is 500 lumens assuming a nominal minimum efficacy of 100lm/W.

MECHANICAL SPECIFICATIONS

CASE DIMENSIONS



| | |
|---------------|-------|
| LENGTH | 6.46" |
| WIDTH | 1.37" |
| HEIGHT | 1.00" |
| MOUNTING | 6.00" |
| CASE STYLE | L7 |
| CASE MATERIAL | METAL |

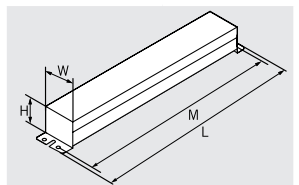
STANDARD LEAD LENGTHS*

| | |
|-------------|-----|
| WHITE | 12" |
| BLACK | 12" |
| WHITE/BLACK | 12" |
| RED | 24" |
| BLUE | 24" |
| BROWN | 24" |

*Consult Keystone for special lead length requirements.

Lead wires are 18 AWG 105°C/600V.

BATTERY SIZE



| | |
|----------|-------|
| LENGTH | 8.10" |
| WIDTH | 1.97" |
| HEIGHT | 0.98" |
| MOUNTING | 7.57" |

MODULE SPECIFICATIONS

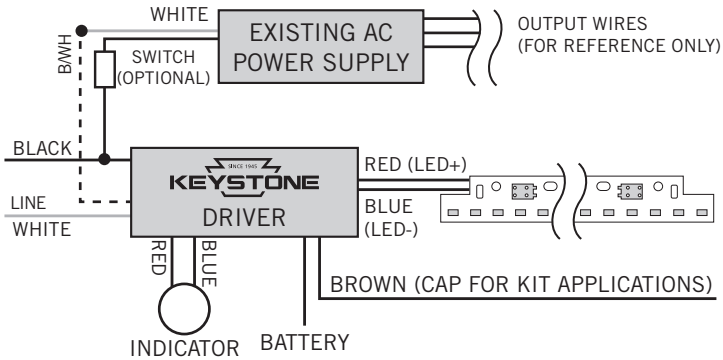
| | | | |
|--------|-------|-------------------|-------|
| LENGTH | 5.00" | No. of LEDs | 10 |
| WIDTH | 0.70" | Color Temperature | 5000K |

KT-EMRG-LED-5-500-K1

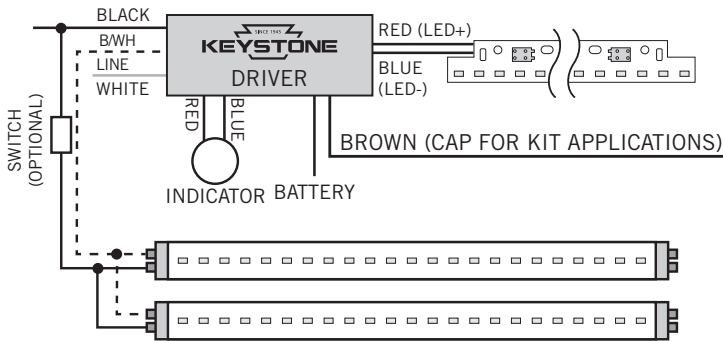
CONSTANT WATTAGE LED EMERGENCY BACK-UP

WIRING DIAGRAMS

1. KIT WIRING DIAGRAM WITH EXISTING POWER SUPPLY



2. KIT WIRING DIAGRAM WITH DIRECT DRIVE LED TUBE FIXTURE



ORDERING INFORMATION

| ORDER CODE | DESCRIPTION | PACKAGING STYLE | PACK QTY. | ITEM STATUS |
|-------------------------|--|-----------------------|-----------|-------------|
| KT-EMRG-LED-5-500-K1-IP | LED Emergency Driver Kit with Battery and 0.7" x 6" 500 lumen LED Module | Individually Packaged | 1 | Active |

CATALOG NUMBER BREAKDOWN

KT-EMRG-LED-5-500-K1

