



Questions?

For customer service please call us at 1-888-743-5766
Office Hours: 8:00 a.m. – 5:00 p.m. PST Monday-Friday



LED Tube
Plug & Play



**READ ALL WARNINGS AND INSTRUCTIONS PRIOR TO INSTALLING THE T8 RETROFIT LAMPS
TO ENSURE SAFETY AND PROPER OPERATION**

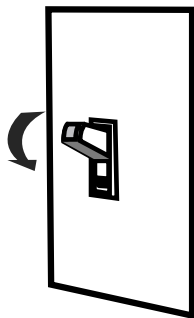
WARNINGS

- Risk of fire or electric shock. LED Retrofit Kit installation requires knowledge of luminaires electrical systems. If not qualified, do not attempt installation. Contact a qualified electrician in accordance with the National Electrical Code and relevant local code. Install this kit only in the luminaires that have the construction features and dimensions shown in the photographs and/or drawings.
 - To prevent wiring damage or abrasion, do not expose wiring to edges of sheet metal or other sharp objects.
Do not make or alter any open holes in an enclosure of wiring or electrical components during kit installation.
 - Risk of electric shock – Do not use where direct exposed to water. Direct replacement for the following lamps only: 32W/ 48T8.
 - Risk of fire – If the LED tube exhibits undesirable operation (Buzzing, flickering, etc.), immediately turn off power, remove LED tube from luminaire and contact manufacturer.
 - Risk of fire – If installing this lamp in a pre-heat luminaire, remove the automatic starters from their holders before installing lamp.
 - Risk of fire – Do not install this LED tube in a pre-heat luminaire. This LED tube operates on magnetic or electronic ballasts.
- If lamp does not light when the luminaire is energized, remove LED tube from luminaire and contact LED tube manufacturer or qualified electrician.

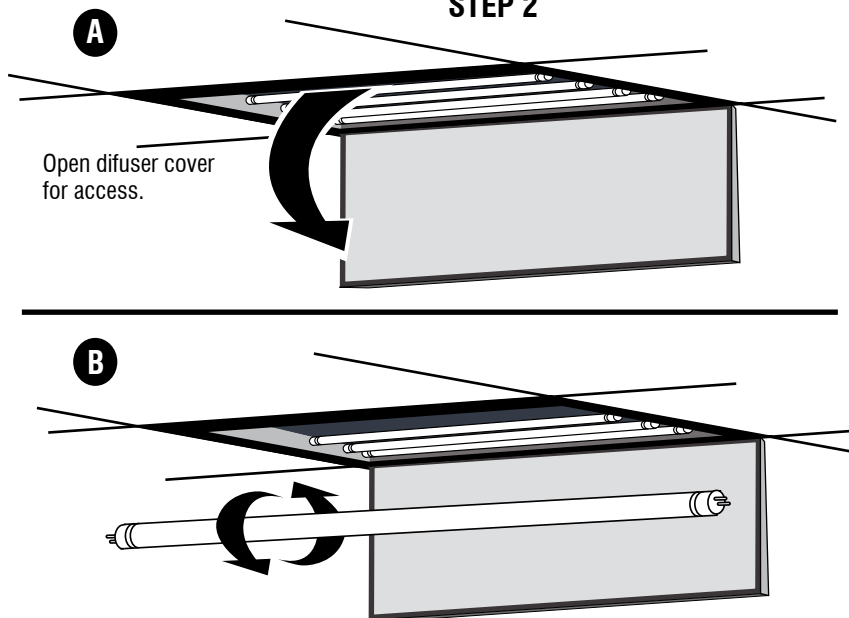
INSTALLATION INSTRUCTIONS

1. Switch-off power to luminaire.
2. Remove diffuser (if provided).
3. Remove existing fluorescent lamp(s) from luminaire. Note: Verify that the fluorescent tube type is listed on the LED lamp label.
4. Install LED lamp (one for each fluorescent lamp removed, ensure pins are firmly seated in lamp holders).
5. Switch on power to luminaire and reattach diffuser (if provided).

STEP 1



STEP 2



Rotate fluorescent tube to remove then insert new LED tube and rotate to lock into place. Repeat sequence for each tube. Close cover when complete.

STEP 3

