

PRODUCT SPECIFICATION

Brand: Jen Lighting

Product: 4ft T8 LED Tube Light



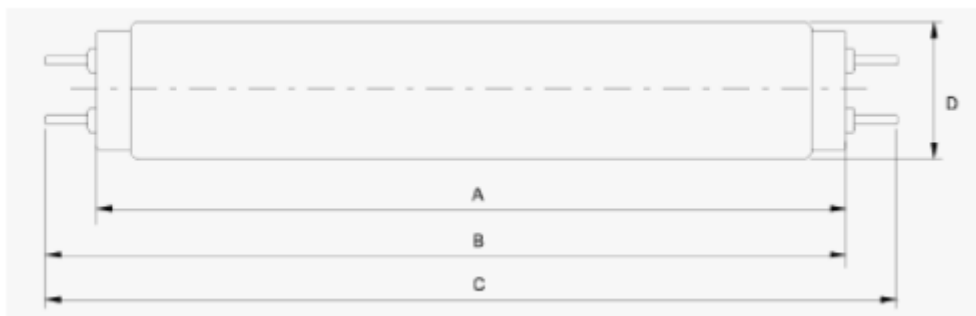
Features

1. Using 1/2 aluminum pipe structure, good appearance , good heat dissipating capacity
2. Built-in constant current driver, high efficiency, stability
3. Using the imported SMD as light source, high light efficiency, long life span.
4. Quick response time, the LED response time is nanosecond.
5. Environmental protection, no heavy metals and harmful gas.
6. Energy-saving, can save energy more 60% than traditional fluorescent lights.
7. No flicker, start quickly, soft light, protect your eyes.
8. Easy to install and use.

● Technical Parameter

Item	JN-T8S-18W-XX Where "XX" represent the color temperature, it can be from 30 to 60;	
Length	G13 Base	4ft
LED Qty	120pcs SMD2835	
Power	18W	
Voltage	AC100-277V	
Working Frequency	50/60HZ	
Power Efficiency	>= 90%	
Luminous Flux	>130LM/W	
Power Factor	>= 0.9	
Color Temperature	3000K-6000K	
CRI	Ra >= 80;	
Beam Angle	120°	
Working Temperature	-4 to 140 °F (-20 to +60 °C)	
Working Humidity	10 - 70% RH	
LifeSpan	50,000hr life, 5yr warranty	
certification	ETL/CETL	

●Product Dimensions



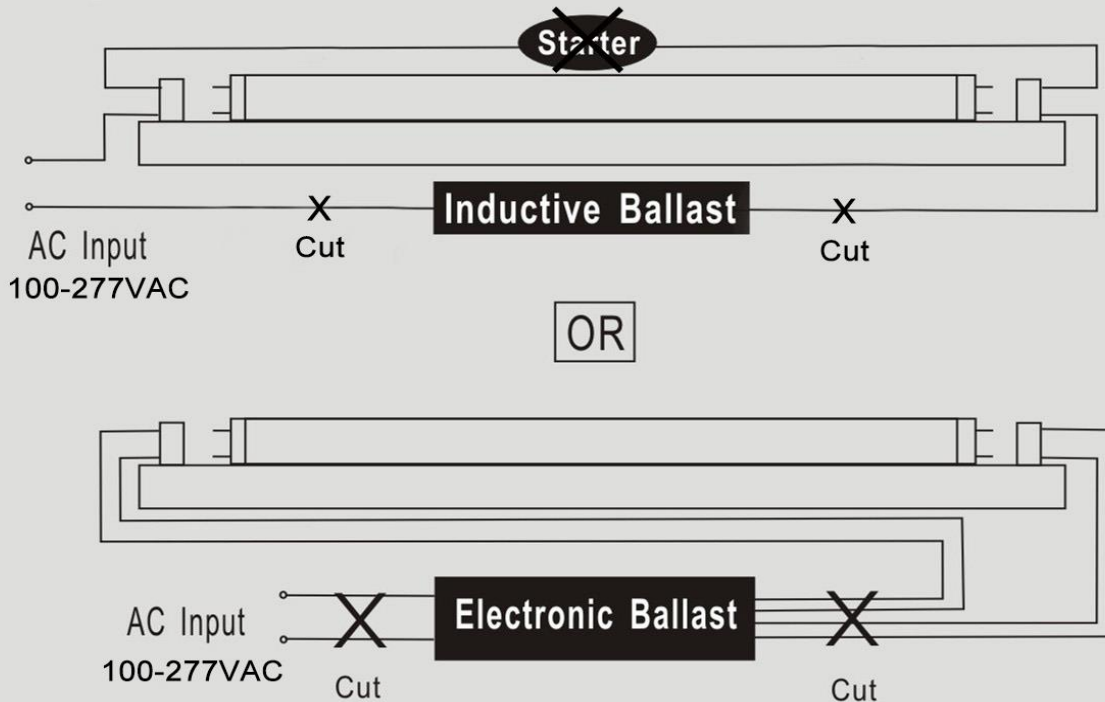
A	B	C	D
47.2" / 1199mm	47.4" / 1204mm	47.75" / 1213mm	1.1" / 28mm

●Instruction of wiring

T8 Retrofit wire connections

T8 Lamps receive power on the both of fixture through an unshunted socket. Connect the building's AC power wires within the fixture housing directly to the lamp socket(s).

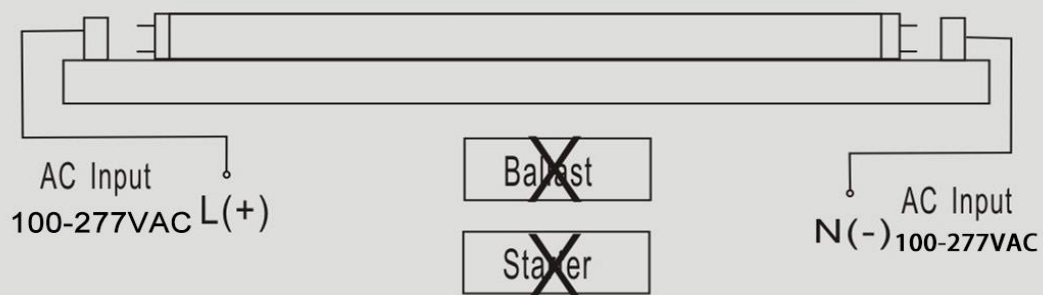
Fig.A



AFTER



Fig.B



● Installation Instructions

The 4ft T8 led lamp is compatible with UPS generators with output voltage range of 100~277VAC (50/60Hz). The distance between the generator and the lighting load should not exceed 1.7km. The UPS generator must energize

the lighting loads only.

Lamp installation in the following conditions and applications voids the product warranty:

- Line voltage above 277VAC
- LED Drivers or with a ballast
- Casketed, fully enclosed fixtures
- Installation in wet environments
- Installation in broken, cracked, dirty or rusted fixtures
- Improper wiring to the lamp

* Total Power equals lamp power because the ballast has been bypassed or removed.

**** Operation is subject to the following conditions:

(1) this device may not cause harmful interference, and

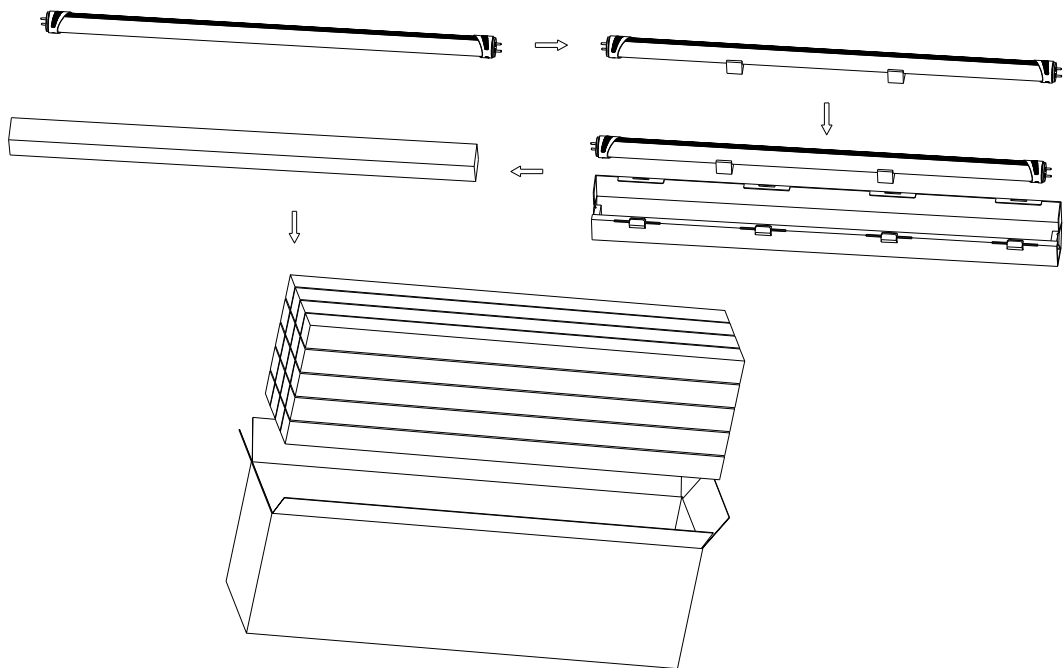
(2) this device must accept any interference received, including interference that may cause undesired operations

CAUTION

Turn power off when installing the lamp.

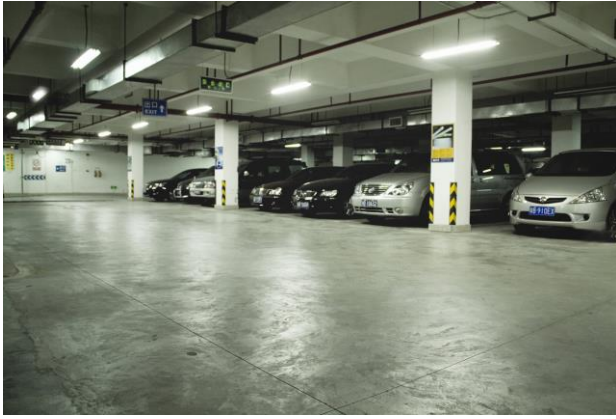
CAUTION - IF THE LAMP OR LUMINAIRE EXHIBITS UNDESIRABLE OPERATION (BUZZING, FLICKERING, ETC.), IMMEDIATELY TURN OFF POWER, REMOVE LAMP FROM LUMINAIRE AND CONTACT MANUFACTURER.

●Product Package



Package: 25pcs/carton

●Products Application Cases



The date listed in this file is for reference only, and the specific date should be subject to the specific products, if any change, sorry for no notice.