

# LED 8FT TUBE

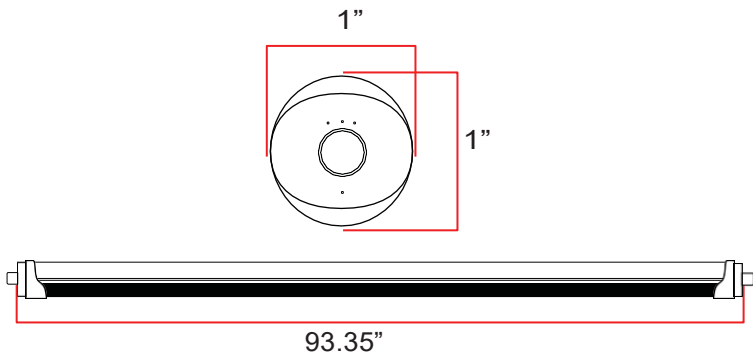
8FT AC Direct T8 Tube



The LED 8FT Tube with internal driver is used for general illumination for homes, offices, restaurants, hotels, malls, buses, trains, warehouses, parking lots, or wherever accent lighting is required.



## DIMENSIONS



## CERTIFICATIONS



## FEATURES

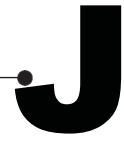
- Comes standard single pin
- Soft and wide light emitting
- Special circuit design, avoiding the single broken LED influence problem
- High efficiency constant current drive system with heat protection system
- Suitable for damp or dry environments
- Minimize labor and recycling costs
- No infrared rays, no ultraviolet radiation, and no thermal effect
- 5 Year Manufacturer's Warranty

## COMMON TECHNICAL DATA

Color Temperature	3000K-5000K
Beam Angle	120 degrees
CRI	>80
Operation Temperature	-20°C to 50°C
Efficiency	More than 120 LPW
Input Voltage	AC100-277V
Frequency	50-60Hz
Power Factor	More than 0.99
Rated Life	50,000 hours
LED Type	SMD 2835
Housing	Aluminum

# LED 8FT TUBE

8FT AC Direct T8 Tube



## PRODUCT SPECIFICATION

Product Number	Wattage	Length (FT)	Color	Lumens	Input Voltage	Wire Input
ZY-T8-30W2400 BINT	30W	8FT	3000K-5000K	3600	AC100-277V	Two End
ZY-T8-40W2400 BINT	40W	8FT	3000K-5000K	4800	AC100-277V	Two End

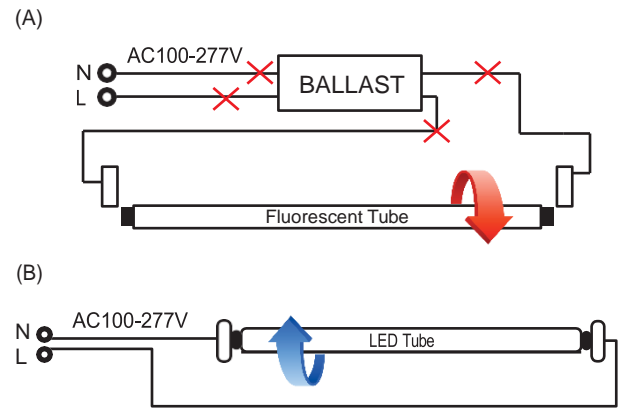
## ORDERING GUIDE

ZY	T8	30W/40W	2400	B	I	NT	3000K-5000K
Company Code	Housing Type	Wattage	Length	2835 LED	Internal Driver	Input Type	CCT

## INSTALLATION INSTRUCTIONS

Retrofit Procedure:

1. Turn OFF power to the fixture at the breaker panel before installation.
2. Open the diffuser from the light fixture.
3. Remove the fluorescent tubes and dispose of these properly as they may contain mercury.
4. Cut wires as shown on diagram (A).
5. Make new wire connection to the branch circuit as shown on diagram (B).
6. Replace the cover over the wiring channel.
7. Install the LED tubes and close the diffuser.
8. Switch ON power to the fixture at the breaker panel



## CAUTION

- Risk of fire- do not install this lamp in a pre-heated luminaire.
- Loose or damaged end caps and/or lamp holders need to be replaced before installation.
- Risk of electric shock- make installation with gloves.
- Use only in place of fluorescent lamps specified on label.
- These lamps are not intended for use with emergency exist fixtures, emergency exit lights or battery backup devices.
- If the lamp or luminaire exhibits undesirable operation (i.e. buzzing, flickering, etc.), immediately turn off power and remove the lamp from luminaire and contact manufacturer.
- Do not install an LED tube into luminaire containing a ballast and/or starter- they must be removed prior to installation.
- Do not make mass installation before sample testing.