

ADJUSTABLE LED TROFFER - 2X4, 2X2

LEDTROF1000051838 - LG-TR-24-20/25/30/40/50-5CCT

LEDTROF1000051837 - LG-TR-22-20/25/30/35/40-5CCT

LUMEGEN®



Project:	
Type:	
Catalog #:	



The LumeGen LED Wattage Adjustable and Color Tunable Troffer series replaces traditional fluorescent troffers in new or remodel applications. They can be adjusted between 5 different wattages, affecting the light output, and 5 different color temperatures, affecting the color. These panels will save energy and save on maintenance cost of replacing fluorescent tubes. This LED Troffer Light is perfect for many commercial applications such as offices, hospitals, schools, universities, hotels, or any other indoor area with a drop ceiling. Available in common sizes such as 2x4 and 2x2.

Product Features

- **Color Temperature:** Color Tunable - 35K/40K/50K/57K/65K
- **Power Use:** Wattage Adjustable - 20W/25W/30W/35W/40W (2x2) & 20W/25W/30W/40W/50W (2x4)
- **Housing Construction:** Aluminum Housing with heat sink
- **Optical Lens:** Polycarbonate (PC) Lens
- **Beam Angle:** 120°
- **LED Life Hours:** Rated to last 50,000 hours
- **Driver:** AC120-277V, 50/60Hz, 0-10V Dimming*
- **Power Factor (PF):** > 0.90
- **Total Harmonic Distortion (THD):** <20%
- **Color Rendering Index (CRI):** 80
- **Operating Temperature:** -4°F ~ 113°F (-20°C ~ 45°C)
- **Warranty:** 5 year warranty of all electronics and housing.

*Compatible 0-10V Dimmer sold separately.

Safety & Performance Listings

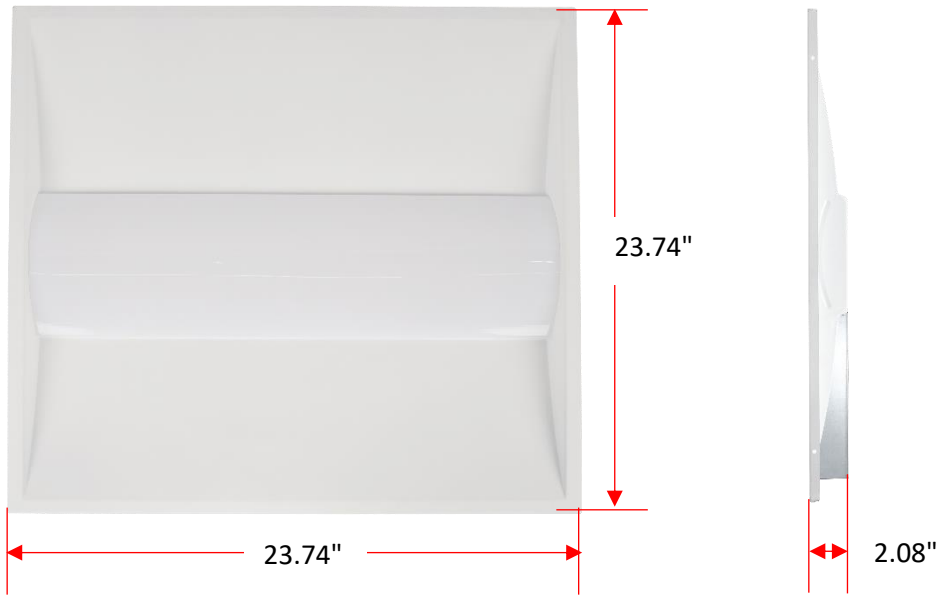
- UL listed
- DLC Premium V5.1
- Complies with RoHS requirements.
- Complies with FCC Part 15, class B.

ADJUSTABLE LED TROFFER - 2X4, 2X2

LEDTROF1000051838 - LG-TR-24-20/25/30/40/50-5CCT
LEDTROF1000051837 - LG-TR-22-20/25/30/35/40-5CCT



Dimensions



ADJUSTABLE LED TROFFER - 2X4, 2X2

LEDTROF1000051838 - LG-TR-24-20/25/30/40/50-5CCT

LEDTROF1000051837 - LG-TR-22-20/25/30/35/40-5CCT



Electrical Specifications

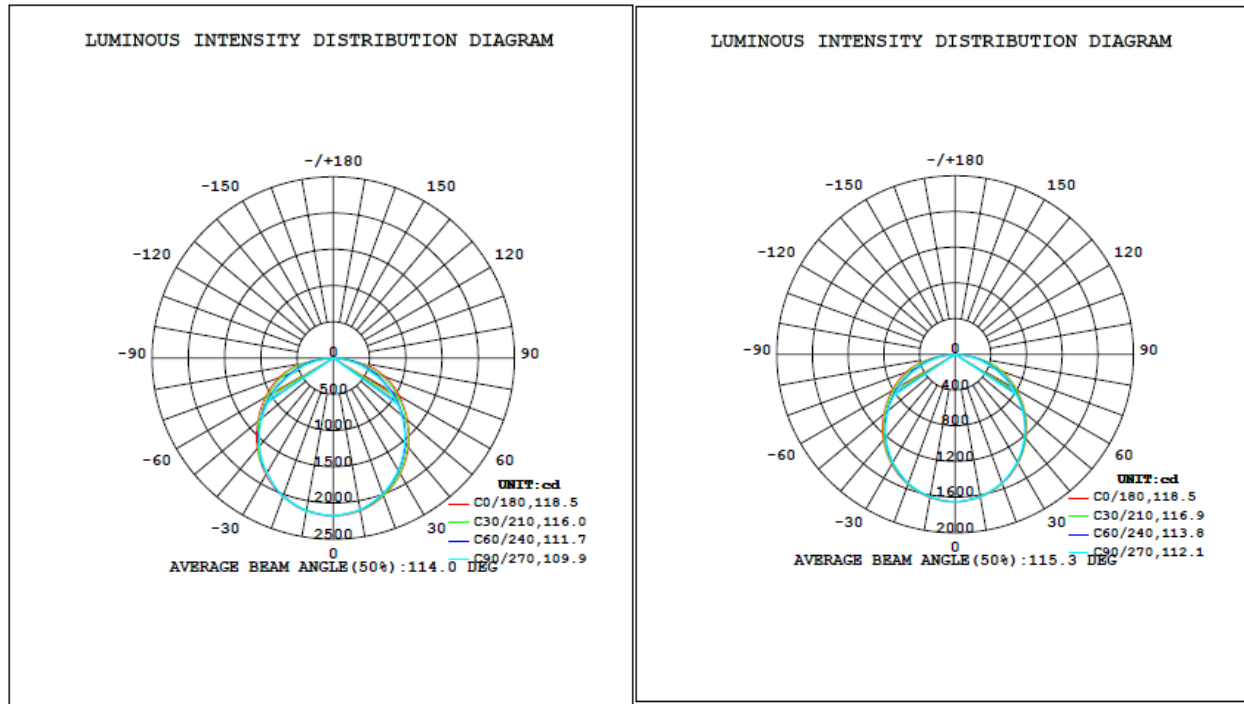
Model	Watts	LPW	CRI	Volt	CCT	Beam Angle
LG-TR-24-20/25/30/40/50-5CCT	20W/25W/30W/40W/50W	125	>80	120-277	3500K/4000K/5000K/5700K/6500K	120°
LG-TR-22-20/25/30/35/40-5CCT	20W/25W/30W/35W/40W					

Requires separate 0-10V dimmer (sold separately) for dimming function.

DLC Premium V5.1 List and estimated lumen output (based on LPW):

Model #	DLC QPL ID	Lumen Output (estimated)
LG-TR-24-20/25/30/40/50-5CCT	S-HCRTY7	2500 3125 3750 5000 6250
LG-TR-22-20/25/30/35/40-5CCT	S-BVDFD	2500 3125 3750 4375 5000

Photometrics

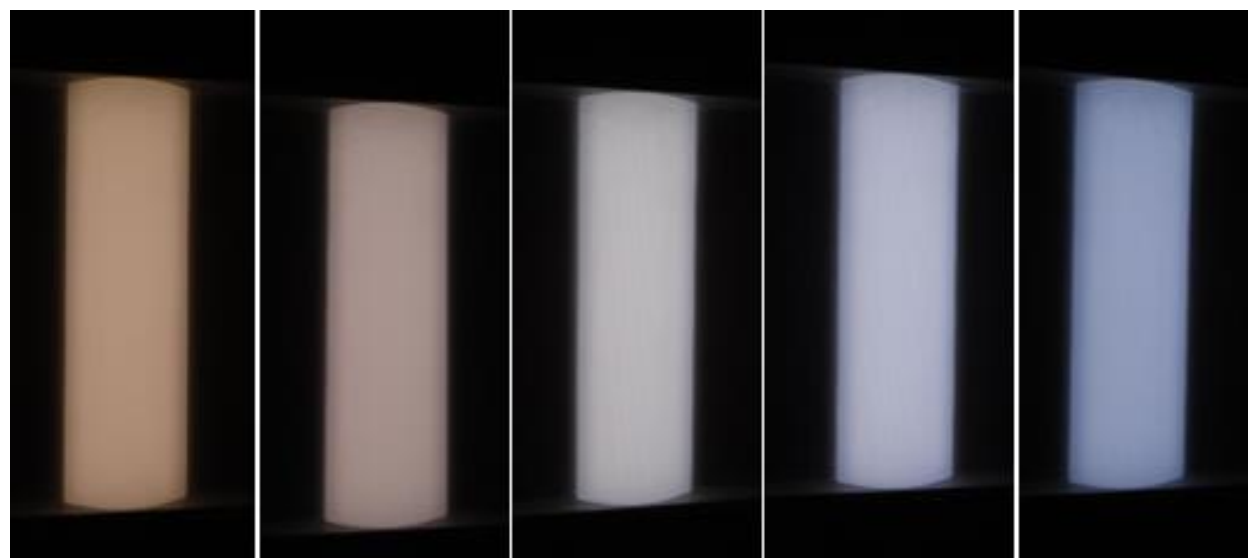
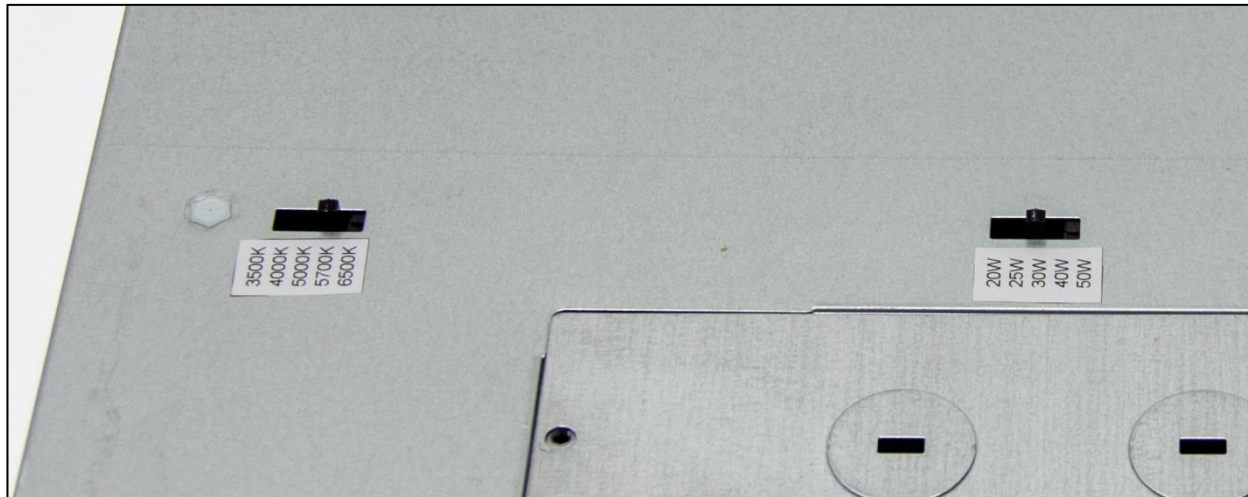


2x4 @ 3500K

2x2 @ 3500K

Wattage and Color Switches

Switches to adjust the wattage (brightness) and the color temperature of the LED troffer are located on the driver on the back of the fixture.



3500K

4000K

5000K

5700K

6500K

Packaging

Size	Outer Carton Size (L*W*H)	Qty/Ctn (pcs)	Net Weight (lbs)	Gross Weight (lbs)
2x2	25.51" x 5.51" x 25.71"	2	11.51	12.79
2x4	49.49" x 5.51" x 25.71"	2	22.62	25.13

0-10V Dimmer (Sold Separately)

A 0-10V dimmer is required to dim this fixture. 0-10V dimmers require two extra low voltage wires from the LED driver to the dimmer that signal the dimming level. LumeGen 0-10V dimmer (SKU LEDDMMR1000050000) is the perfect choice to dim this fixture.

Emergency LED Drivers (Sold Separately)

Emergency LED Driver backups are available (sold separately) which can power this light for up to 90 minutes during a disruption of main power supply. A bracket accessory is available to safely mount emergency LED drivers to LED troffers.

LEDLEHD1000050403 - EM driver

