

LEDLDLG1000051321 - LG-DLO4-5.5/10/12W-3CCT  
 LEDLDLG1000051322 - LG-DLO6-7/10/18W-3CCT  
 LEDLDLG1000051323 - LG-DLO8-10/15/22W-3CCT  
 LEDLDLG1000051324 - LG-DLO9.5-20/25/32W-3CCT



Project:	
Type:	
Catalog #:	



The Wattage Adjustable and Color Tunable LED Recessed Down Lights are the perfect canless alternative to traditional recessed lighting. No need to worry about purchasing separate recessed housings, trims, and bulbs as this product combines everything into one easy-to-install recessed downlight. It cuts installation time by up to 50% vs traditional recessed lighting, saves up to 60% in energy use, and saves in routine maintenance of not needing to change bulbs. These commercial LED down lights are IC rated (safe for insulation contact) and Airtight rated to maximize energy savings. These commercial LED down lights are great options for commercial settings such as offices, retailers, airports, hotels, schools, and more. They are also great options for residential settings in kitchens, living rooms, bedrooms, bathrooms, utility rooms, basements, and more.

## Product Features

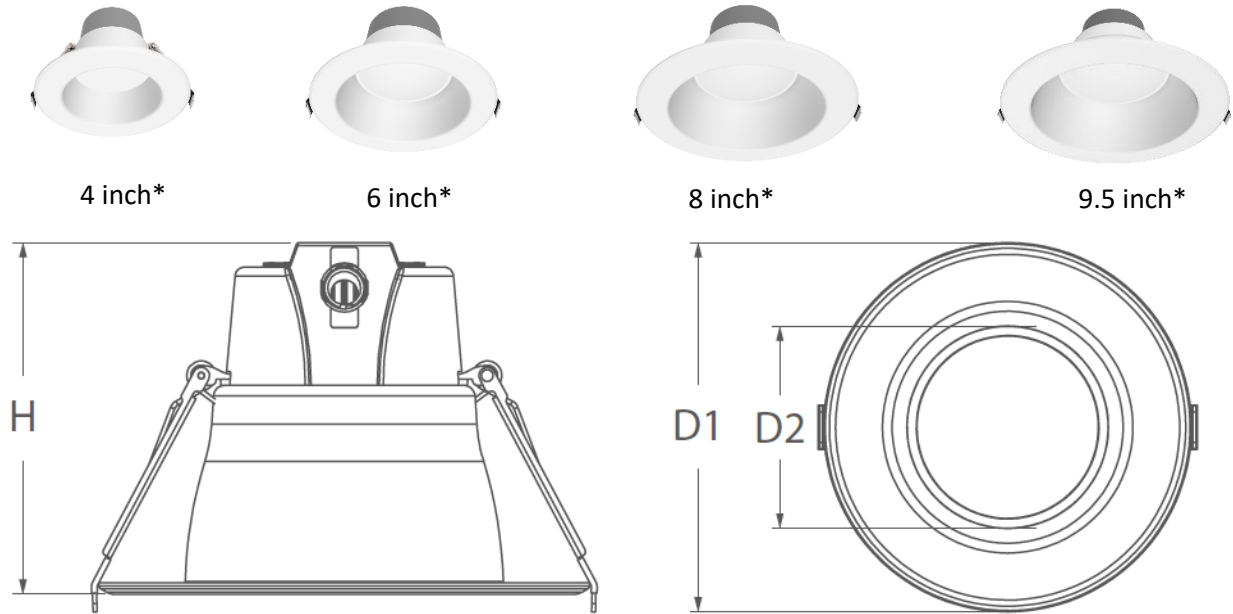
- **Color Temperature:** Color Tunable 3000K/3500K/4000K
- **Power Use:** Wattage Adjustable with 3 wattages to select from.
- **Housing Construction:** Aluminum Housing with smooth baffle, white finish.
- **Beam Angle:** 90°
- **LEDs:** LUMILEDS 2835 LED Chips
- **LED Life Hours:** Rated to last 50,000 hours
- **Driver:** AC120-277V, 50/60Hz, 0-10V Dimming
- **Power Factor (PF):** > 0.90
- **Color Rendering Index (CRI):** >90
- **Operating Temperature:** -4°F ~ 104°F (-20°C ~ 40°C)
- **Surge Protection:** 2.5kV Standard
- **Insulation Contact:** IC Rated for insulation contact.
- **Airtight Rating:** Airtight Rated
- **Warranty:** 5 year warranty of all electronics and housing.

## Safety & Performance Listings

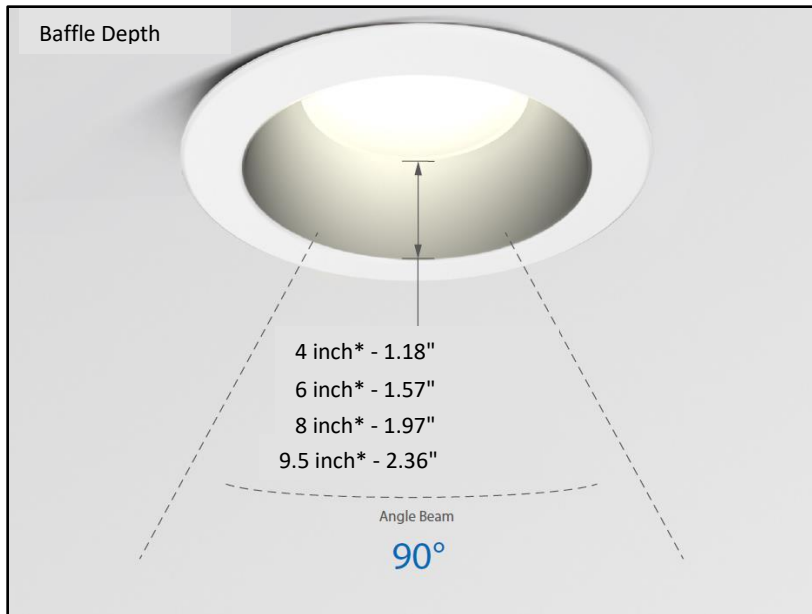
- cULus listed for wet locations
- Title24 Compliant
- Complies with RoHS requirements.
- Complies with FCC Part 15, class B.
- ICES Certifications

LEDLDLG1000051321 - LG-DLO4-5.5/10/12W-3CCT  
 LEDLDLG1000051322 - LG-DLO6-7/10/18W-3CCT  
 LEDLDLG1000051323 - LG-DLO8-10/15/22W-3CCT  
 LEDLDLG1000051324 - LG-DLO9.5-20/25/32W-3CCT

**Dimensions**



SKU	H	D1	D2
LEDLDLG1000051321	4.25"	5.94" Dia	3.85" Dia
LEDLDLG1000051322	5.12"	8.27" Dia	5.98" Dia
LEDLDLG1000051323	5.82"	10.23" Dia	7.40" Dia
LEDLDLG1000051324	6.37"	11.49" Dia	8.54" Dia



The Deep Baffle Design helps reduce glare by making the light source less visible. The effect is a soft, smooth light without intense visual bright spots from the light source.

\*Nominal Dimension

LEDLDLG1000051321 - LG-DLO4-5.5/10/12W-3CCT  
 LEDLDLG1000051322 - LG-DLO6-7/10/18W-3CCT  
 LEDLDLG1000051323 - LG-DLO8-10/15/22W-3CCT  
 LEDLDLG1000051324 - LG-DLO9.5-20/25/32W-3CCT

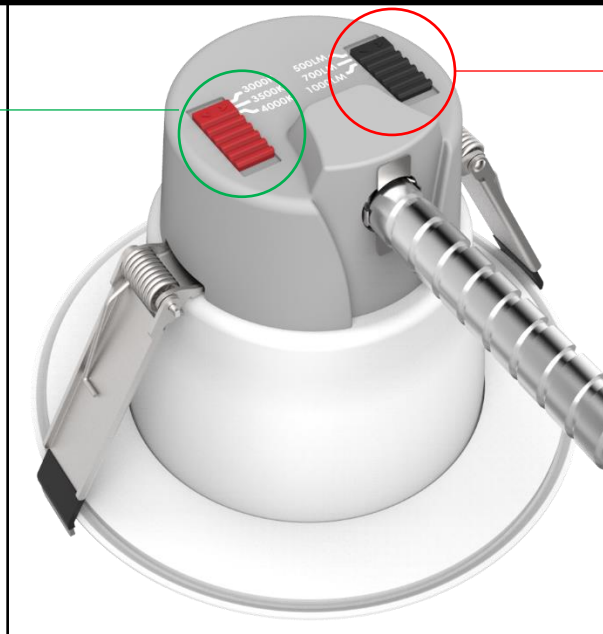
**Electrical Specifications**

SKU	Model	Watts	Lumens	LPW	Voltage	CCT	CRI	Beam Angle	Dim
LEDLDLG1000051321	LG-DLO4-5.5/10/12W-3CCT	5.5	500	90	120-277	3000K/3500K/4000K Selectable	>90	90°	0-10V **
		10	900	90					
		12	1100	91					
LEDLDLG1000051322	LG-DLO6-7/10/18W-3CCT	7	700	100					
		10	1000	100					
		18	1500	83					
LEDLDLG1000051323	LG-DLO8-10/15/22W-3CCT	10	1000	100					
		15	1500	100					
		22	2200	100					
LEDLDLG1000051324	LG-DLO9.5-20/25/32W-3CCT	20	2000	100					
		25	2500	100					
		32	3000	94					

*\*\*Requires 0-10V LED Dimmer for dimming (sold separately)*

**Wattage & Color Tunable Instructions**

The dip-switch to select color temperature is located on the back of the light circled to the right.



The dip-switch to select wattage is located on the back of the light circled to the left.

Lumens will be listed to easily select which lumen package you want produced.

**It is important to select the desired wattage and color temperature prior to installation as the switches will not be easily accessible once installed.**

LEDLDLG1000051321 - LG-DLO4-5.5/10/12W-3CCT  
LEDLDLG1000051322 - LG-DLO6-7/10/18W-3CCT  
LEDLDLG1000051323 - LG-DLO8-10/15/22W-3CCT  
LEDLDLG1000051324 - LG-DLO9.5-20/25/32W-3CCT

### Mounting Accessories (sold separately)

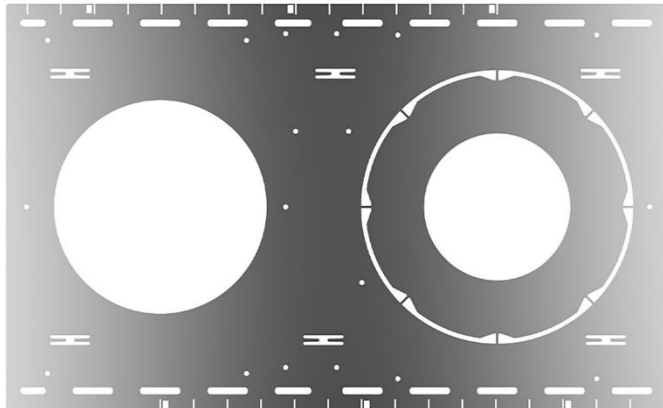
**Goof rings** are available (sold separately) in 6" and 8" sizes to cover unsightly gaps made when cutting into drywall or tears caused by removing existing trims/fixtures.

6" Goof ring can be used for extending from 8.25" to 10.5" with a max ceiling cutout of 9"

SKU: LEDLDLG1000051202

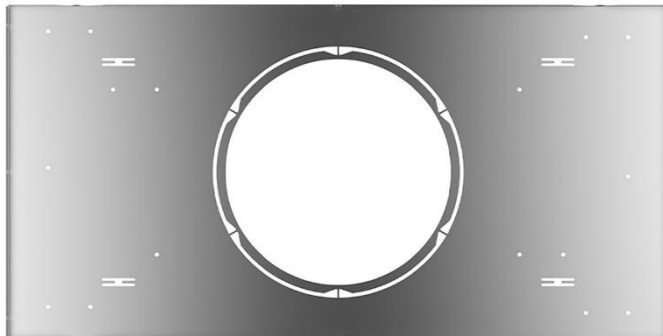
8" Goof ring can be used for extending from 10.25" to 12.5" with a max ceiling cutout of 10.9"

SKU: LEDLDLG1000051203



**Stud/Joist Mounting Plate** (sold separately) accommodates 6" and 8" downlights for new construction applications with studs or joists exposed.

SKU: LEDLDLG1000051205



**T-grid Mounting Plate** (sold separately) accommodates 6" and 8" downlights for new construction or remodel applications for T-Grid ceilings.

SKU: LEDLDLG1000051204