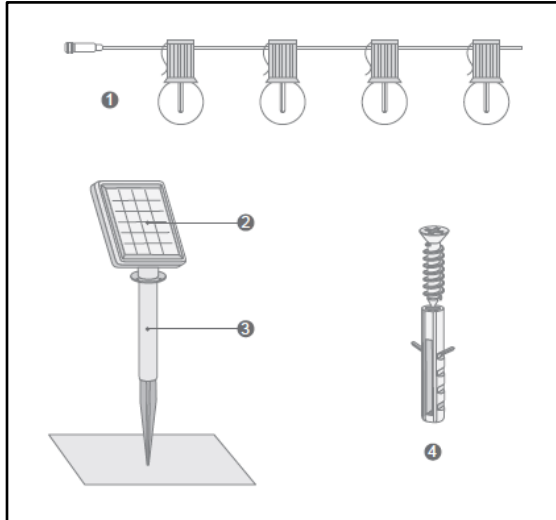


IMPORTANT: Read all instructions prior to installation!
Keep instructions for future reference!

Project:	
Date of Purchase	



Included Parts List:

- String Light Wire Set
- Solar Panel with ground stake
- LED Bulbs
- User Manual
- Hardware kit

IMPORTANT SAFETY & NOTES WARNING

- Before installing, servicing, or performing routine maintenance upon this equipment, follow these general precautions.
- Do not install damaged product. Inspect luminaire for damage that may have occurred during transit or unpacking. If damaged, contact the manufacturer immediately.
- To prevent wiring damage or abrasion, do not expose wiring to edges of sheet metal or other sharp objects.

WARNING

- DO NOT HARDWIRE THE STRING LIGHT.

CAUTION

- Avoid direct eye exposure to the light source while it is on
- Account for small parts and destroy packing material, as these may pose hazardous to children.
- Do not hang any other objects from the light string.

NOTICE

- Periodically inspect the wires and sockets for degradation due to weather, UV light, or any other damage. Promptly replace the light string if any degradation or damage is noticed.



Recommended Tool List (Not included):

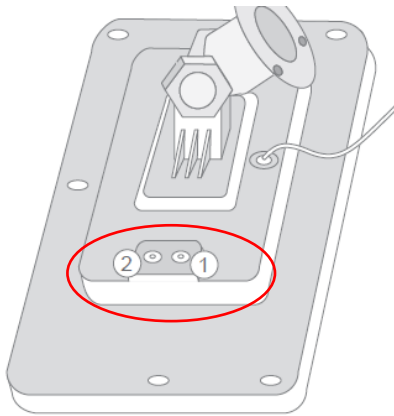
- Screw driver
- Hammer
- Tape Measure
- Ladder

Electrical Specifications

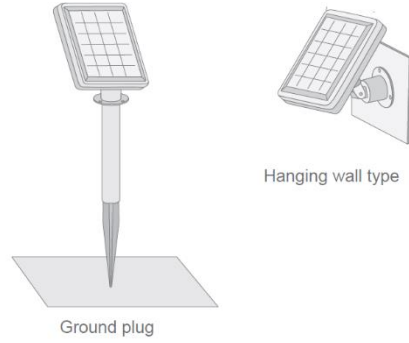
Length	Wire Gauge	Voltage	Socket Size	Socket Max Watt	No. of Sockets	Included Bulbs	IP Rating
48FT	20AWG	Solar	E26	1W	15	(17) S14 1W	IP65
50FT			E12	0.5W	50	(52) G40 0.5W	
25FT			E12	0.5W	25	(27) G40 0.5W	

INSTALLATION INSTRUCTIONS

1. Unbox product and allow the solar panel to charge in the sun for 3 days to ensure a full battery charge before operating at full capacity.
2. Suspend the string light via one of the below methods.
 - a. attaching a suspension cable (not included) to solid support structures such as joists, beams, wall studs, or trees
 - b. using cable ties or other appropriate support methods through the eye-holes on each socket and attaching it to the suspension cable (from 2a).
 - c. if not using suspension cable, the string lights can be supported from solid structures using eyebolts or support hooks (support material not included).
3. Install the included lamps in the sockets once the string light is properly suspended and supported. Other shapes of lamps can be used such as A, G, S shapes as long as the lamp does not exceed the socket wattage.
4. Connect the string lights to the solar panel.
5. Install the solar panel in the ground by affixing panel to included ground stake or attach to a flat vertical surface. It is important to install the solar panel in a location that gets plenty of sunlight throughout the day and year.
6. Turn the power switch to the on position on the back of the panel and the light will come on when ambient brightness is lower than 10 LUX.
7. Toggle Light mode by pressing the Mode Switch button. Toggle between Solid, Breathing Mode, Fast Strobe, and Slow Strobe.



Mode Switch Button
On/Off Button



General Troubleshooting

Having trouble? Before contacting the manufacturer, please review below troubleshooting checklist:

- Verify power button has been pressed on back of solar panel.
- Check electrical connections for secure connections.
- Check bulbs to ensure they are completely screwed into socket.
- If batteries are not charging, ensure the location of the solar panel is in an area unobstructed from direct sunlight. You may need to move the solar panel to a different location depending on the season to account for where the sun is in the sky throughout the year.
- Ensure the solar panel is clean and free of debris.

FAQs

- Can I clean the LED string lights and bulbs?
 - A: Yes, it is recommended to use a soft cotton cloth to wipe the lamp body down. Do not use a cleaning agent like alcohol.'
- Can I clean the solar panel?
 - A: Yes, it is recommended to periodically clean off the solar panel of debris and dust in order to get optimal energy collection.
- Can I purchase replacement bulbs?
 - A: Yes, we sell replacement bulbs for S14 1W and G40 0.5W in packs of 15 for the S14 and packs of 25 for the G40 for easy replacement.
 - LEDS14B1000055712 - S14 1W 15-Pack
 - LEDG40B1000055714 - G40 0.5W 25-Pack

1-Year Limited Warranty

LumeGen (Seller) carries a limited warranty on all of its LED products for manufacturing defects and product failures. The warranty period for commercial products is 1 year from the date of purchase (based on 12 hours per day, 7 days per week of normal commercial use). If LumeGen LED products fail to operate within the warranty period listed above when used as directed, contact LumeGen Customer Service Department to initiate the return process and explain your warranty claim. Failure to follow the procedure as provided by the Customer Service Department will void this warranty.

What you Do: We ask that you call our Customer Service Department at 800-998-6977 to obtain an RMA number and explain the warranty issue. It is the customer's responsibility to pay for the return shipping of the defective product(s) back to the Seller. If the product(s) is found to be defective, the Seller will pay for the shipping costs of the replacement product(s) back to the customer. The returned product(s) must include the RMA # clearly marked on the outside of the packaging, and must include a copy of the original proof of purchase (invoice or sales order).

What we Do: Once we receive the product(s) in question, we will verify the defective claim on the product. If we determine that the defect was not caused by negligence, improper installation, electrical surges, alteration, abuse, unauthorized repair, or disassembly, we will send you a replacement LumeGen Product(s). If an identical replacement is not available for any reason, LumeGen reserves the right, at its sole discretion, to replace the defective product(s) with a different product(s) of equal value that most closely matches the specifications of the original product. Replacement of the defect product(s) is LumeGen's sole warranty obligation, and case or credit refunds will not be offered.

This Limited Warranty is subject to the following conditions:

- Seller is not responsible for incidental and consequential damages that may occur during the return of the product to the seller.
- This warranty is extended only to the original purchaser of the product from Seller. This warranty does not cover any third-party products or devices used in conjunction with the product purchased.
- Seller will not be responsible for any type of removal or re-installation costs, including labor and/or equipment charges or expenses, and will not be responsible for shipping costs or expenses to return the product(s) back to the Seller.
- This warranty covers products purchased in, and used within, the United States or Canada. No agent, distributor, or dealer is authorized to change, modify, or extend the terms of this Limited Warranty on behalf of LumeGen. For warranty or other questions, please call 800-988-6977 or email customerservice@onlinestores.com.