

**S806S TYPE A+B series
T8 LED Tube High efficiency**

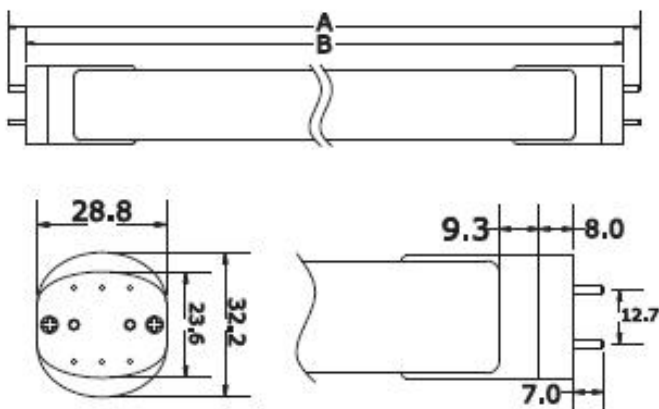
180lm/w

Product Feature

- ◆ Elegant outlook design with private patent Internal Driver with Japanese Rubycon capacitors
- ◆ A6063 aluminum shell for better heat dissipation 19mm Width PCB ensures longer lifespan and safety
- ◆ Input Methods: Type A+B
G13 fixed or rotatable end cap is available
- ◆ OEM service & Customization available
- ◆ UL/cUL, DLC, RoHS, LM80 certificates
- ◆ 5 years 24hrs full time using warranty
- ◆ Mainly used in factory, supermarket, parking lot, hospital, etc



■ **Product Dimension:**



	2feet	4feet
A	602mm	1212mm
B	588mm	1198mm

■ Basic technical parameters

Product Length	SL-DGA00-209WT-G8-S	SL-DGA00-410WT-G8-S	SL-DGA00-415WT-G8-S	SL-DGA00-418WT-G8-S
Rated Power	9W	10W	15W	18W
Input Volt:	AC:100-277V			
Frequency:	50/60Hz			
Luminous flux:	1620LM	1800LM	2700LM	3240LM
Efficacy	180LM/W			
PF	0.9			
CCT	2800-3300K / 3800-4300K / 5800-6400K			
CRI	≥80			
Beam angle	Clear cover 120° / Frosted cover 140°			
Warranty	5 years			
Dimmable	No			
Certificates	ETL / DLC			

■ Model number naming rules:

SL - DGA00- ABBYT - Z8 - X

"SL" stands for Strong Lumen

"DG" stands for LED tube

"A00" stands for input voltage AC100-277V; 50/60Hz

"A" stands Long: 2=0.6M ,3=0.9M,4=1.2M,5=1.5M

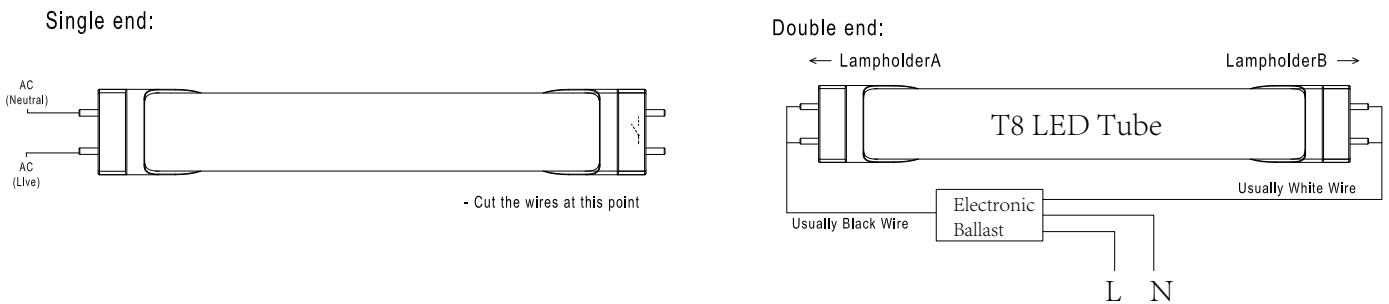
"BB" stands for Power 09=9W ,10=10W,15=15W,18=18W

"Y" stands for CCT, W:5800-6800K L:3800-4800K N:2500-3800K C:4800-5800K

"Z" stands for the type of PC cover, G=Milky, D=Transparent

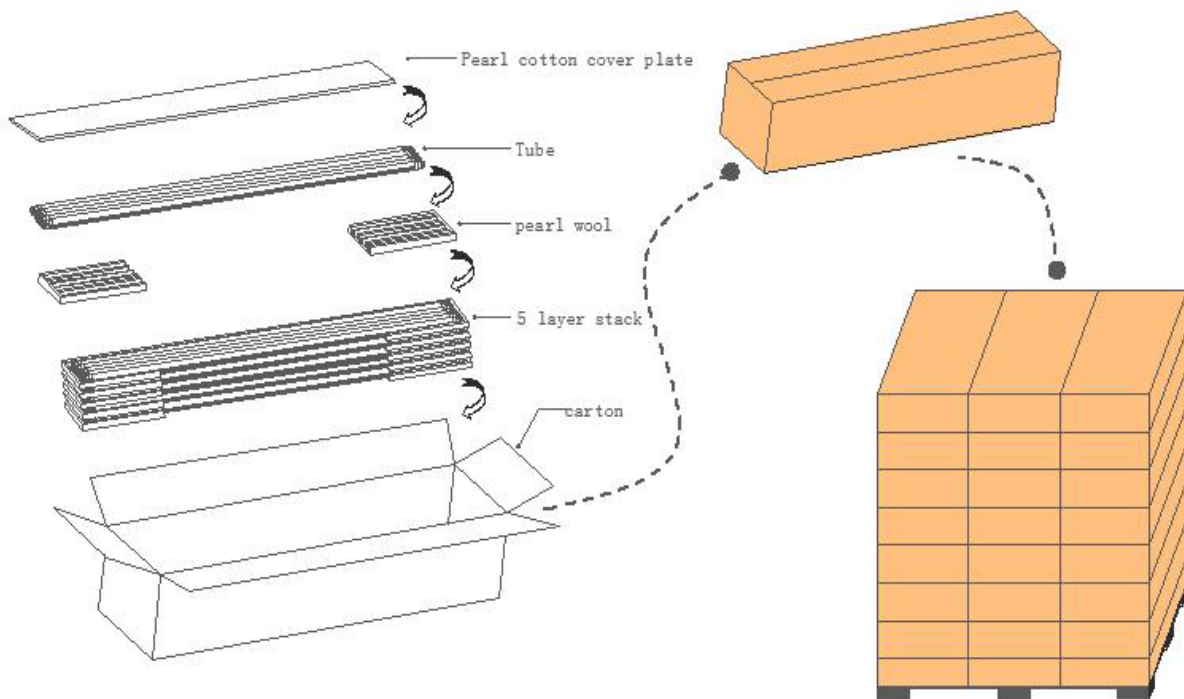
"X" stands for the light efficiency, S=190LM/W, P=175LM/W, T=160LM/W, H=130LM/W, N=100LM/W

■ Standard power connection:



- rated input voltage AC100-277V -

■ Package & Transportation



Model	Size	Qty/carton	Weight/carton	Carton Size
SL-DGA00-209WT-G8-S	0.6m	25PCS	7.7kg	66*22*22CM
SL-DGA00-410WT-G8-S	1.2m	25PCS	11.9kg	126*22*22CM
SL-DGA00-415WT-G8-S	1.2m	25PCS	11.9kg	126*22*22CM
SL-DGA00-418WT-G8-S	1.2m	25PCS	11.9kg	126*22*22CM

■ Storage and maintenance:

Storage:

- ◆ Moisture-proof: This product is a SMD LED lamp. It should be stored in a dry and ventilated environment. The ideal storage environment temperature is $23 \pm 5^{\circ}\text{C}$, and the relative humidity is 40-70%.
 - ◆ It is ideal to use the product within 5 months and ensure the original package is 100% intact, so as to avoid the LED surface silica gel getting wet because of long-term non-using. The LED chip might be damaged after lit-up due to the excessive moisture caused thermal expansion and contraction.
 - ◆ Please use this product as soon as possible after opening. Then, the storage temperature is $5-30^{\circ}\text{C}$, and the relative humidity is below 60%
 - ◆ The storage area should be equipped with shelves or cabinets, corresponding fire protection facilities, and lamps (including accessories) need to be managed by categories, classifying stored, and correctly labelled. Keep the lamps/lamp accessories/lamp instruction manuals/packaging boxes, etc. for inquiry.
-

Maintenance :

In order to maintain the best photoelectric performance for long term, the lamp should be wiped/maintained regularly. It is recommended to maintain every six months to one year. Pay attention to below issues:

1. Turn off the input power switch.
 2. The lamp can only be disassembled according to the instructions after totally cooled.
 3. Use a damp soft cloth to wipe off the dust on the lamp surface during the cleaning.
 4. When cleaning plastic devices (such as end cap and pc cover), you shall use the alcohol-free pH neutral detergent and ensure there will be no stain and any damage caused to the plastic parts.
-

Warning

1. Forbid the operation when power is on.
 2. Not applicable to out-door use.
-

Legal Advice

The total energy efficiency and light distribution depends on the lighting system design. When it comes to the T8 fluorescent lamp replacement.

Disclaim

Subject to change without notice. All explanation rights are reserved by Strong Lumen.